



TECHNICAL SPECS:

Current Rating:3.0AMP
 Contact Resistance:10mΩ Max
 Dielectric Strength: Min 1000VRMS
 Mechanical Life: Min 500 cycles
 Mating Pin:φ0.40 to φ0.56mm
 Forces: (polished steel gauge φ0.47mm)
 Insertion:200g Max/Pin,Withdrawal:60g Min/Pin
 Operation Temperature:-40°C to +105°C

Sleeve:Brass CuZn36Pb3(C36000)
 Contact Clip(4 finger):BeCu(C17200)
 Insulator Material:PPS+30%G.F(UL94V-0)

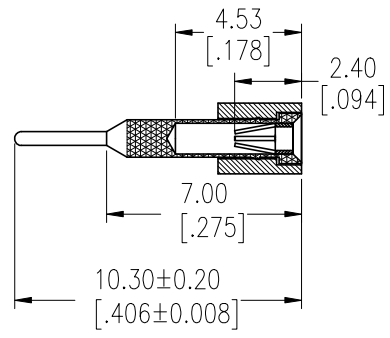
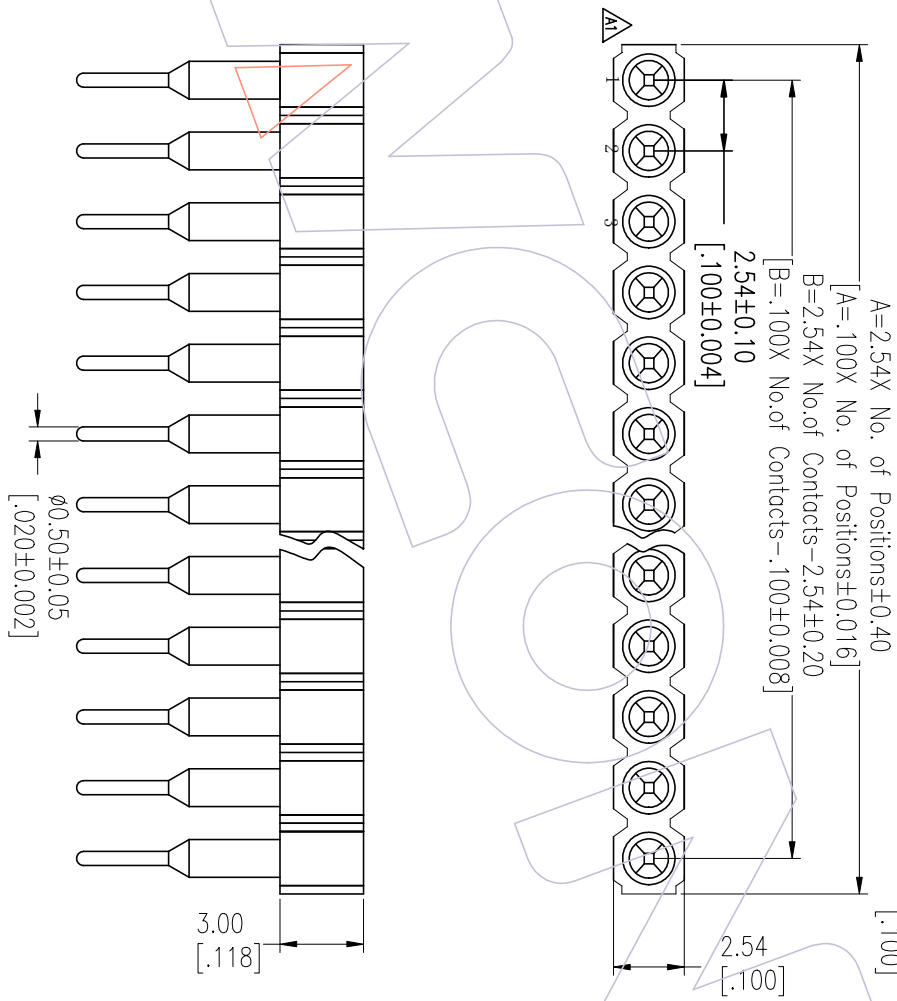
Ordering Information

3520-301 XX S XX 103 X 1

No. of Pin 2~50PIN
 Contact Plating S0=Gold Flash/Tin S3=10s"Gold/Tin S4=15u"Gold/Tin S5=30u"Gold/Tin SN=Tin
 Packing A=Tray T=Tube

| | | |
|-----------|-------|--------|
| Item | Pitch | Mating |
| Standard | 2.54 | 3510 |
| Alternate | | |

Recommended P.C.B Layout(Top Side)
 (PCB BOARD TOLERANCE±0.05)



| | | |
|-----|------------|--------------------------|
| REV | DATE | MODIFICATION DESCRIPTION |
| A1 | 2024/03/20 | Modify Drawing |
| A0 | 2012/10/18 | NEW |

| | | | | | |
|-----------|---------|------------|-------|-----|--|
| OPERATION | DRAW | DATE | SCALE | FIT | PART NO. |
| XX | CP | 2024/03/20 | mm | | 3520-301XXSXX103X1 |
| X.XXX | CHECK | DATE | A4 | | TITLE: 2.54mm MACHINED FEMALE HEADER SINGLE ROW 180° H=3.00 L=10.3 |
| X.XXX | APPROVE | DATE | 1/1 | | Customer NO. |
| Angle | TOL | PROJ. | | | |

Http: www.wcon.com

WCON-Dongguan Tel: +86 769 85358920 Fax: +86 769 85358915 E-mail: sales@wcon.com

WCON-Kunshan Tel: +86 512 57468408 Fax: +86 512 57468468 E-mail: sales@wcon.com