



Recommended P.C.B Layout(Top Side)
(PCB BOARD TOLERANCE±0.05)

TECHNICAL SPECS:

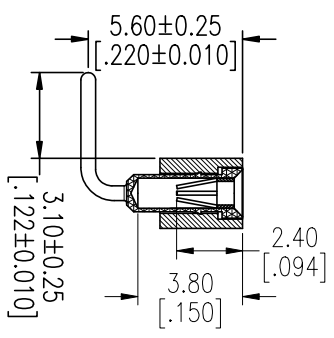
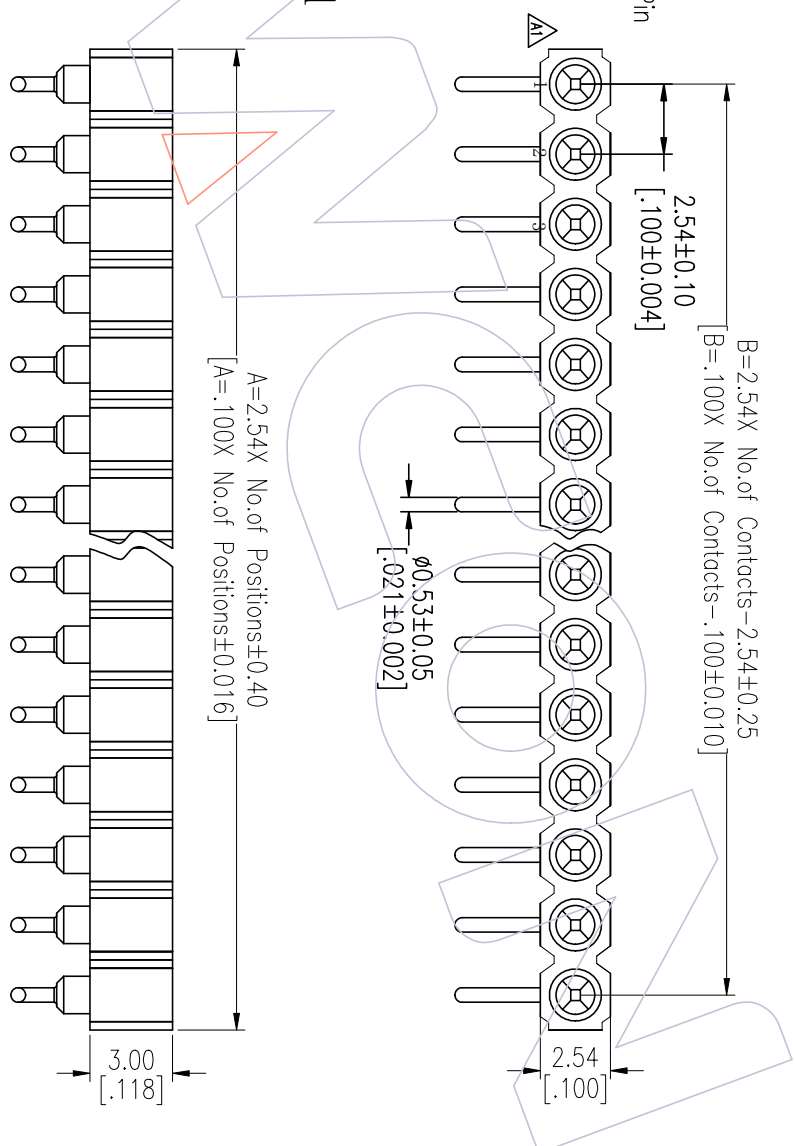
- Current Rating:3.0AMP
- Contact Resistance:10mΩ Max
- Dielectric Strength: Min 1000Vrms
- Mechanical Life: Min 500 cycles
- Mating Pin:∅0.40 to ∅0.56mm
- Forces: (polished steel gauge ∅0.47mm)
- Insertion:200g Max/Pin,Withdrawal:60g Min/Pin
- Operation Temperature:-40°C to +105°C

- Sleeve:Brass CuZn36Pb3(C36000)
- Contact Clip(4 finger):BeCu(C17200)
- Insulator Material:PPS+30%G.F(U194V-0)

Ordering Information

3520-301 XX R XX 097 X 1

- No. of Pin 2~50PIN
- Contact Plating S0=Gold Flash/Tin S3=10u"Gold/Tin S4=15u"Gold/Tin S5=30u"Gold/Tin SN=Tim
- Packing A=Tray T=Tube



Item	Pitch	Mating
Standard	2.54	3510
Alternate		

REV	DATE	MODIFICATION DESCRIPTION	CHANGE	OPERATION	DRAW	DATE	SCALE	FIT	PART NO.	TITLE:	WCON-Dongguan	WCON-Kunshan
A1	2024/03/19	Modify Drawing		X.XX	CP	2024/03/19	mm	A4	3520-301XXRX097X1	2.54mm MACHINED FEMALE HEADER	Http: www.wcon.com	
A0	2012/10/18	NEW		X.XXX	CHECK	DATE	SIZE	1/1		SINGLE ROW 90° H=3.00 L=9.7		
				Angle	APPROVE	DATE	SHEET		Customer NO.			
				DIM	TOL		PROJ.					



WCON-Dongguan
Tel: +86 769 85358920
Fax: +86 769 85358915
E-mail: sales@wcon.com

WCON-Kunshan
Tel: +86 512 57468408
Fax: +86 512 57468468
E-mail: sales@wcon.com