

HSF

NOTES:
 Rated Current: See the table below. Δ
 Contact Resistance: 25m Ω Max.
 Withstand Voltage: 500V
 Insulation Resistance: 10000M Ω Min.
 Operation Temperature: -55 $^{\circ}$ C to +125 $^{\circ}$ C

Contact Material: Copper Alloy
 Contact Plating: Sn and Au over Ni
 Tail Material: Copper Alloy
 Tail Plating: Sn over Ni
 Main Body Material: High Temperature Thermoplastic(UL94V-0)

Ordering Information

3910-S XXX - 136 M XX W R X W Δ

No. of Pins
 010: 10 Pin
 020: 20 Pin
 100: 100 Pin

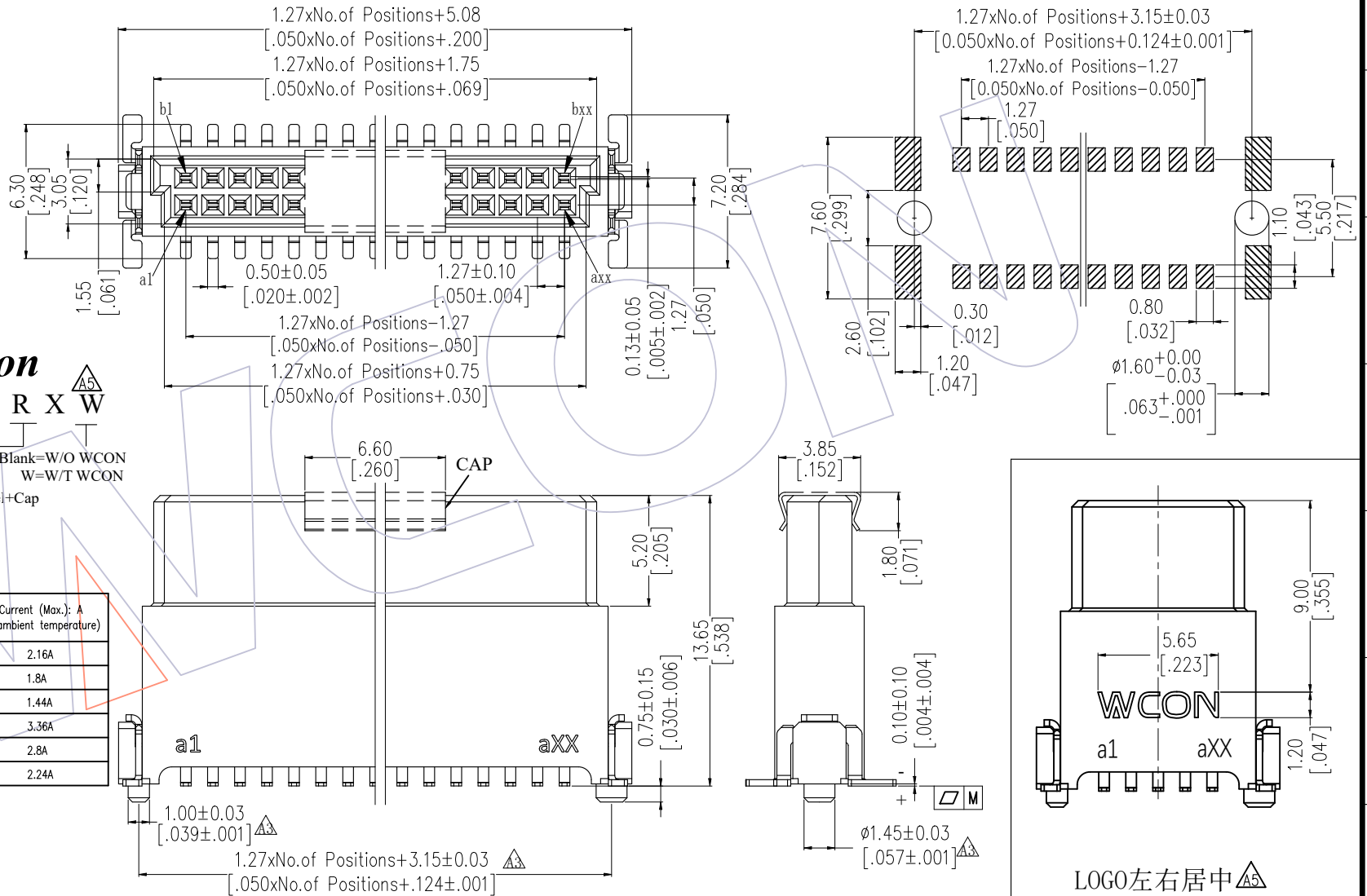
Plating Δ
 S3=Sel.10U $^{\circ}$ Gold/Tin
 S4=Sel.15U $^{\circ}$ Gold/Tin
 S5=Sel.30U $^{\circ}$ Gold/Tin

Package
 R: Tape & Reel+Cap

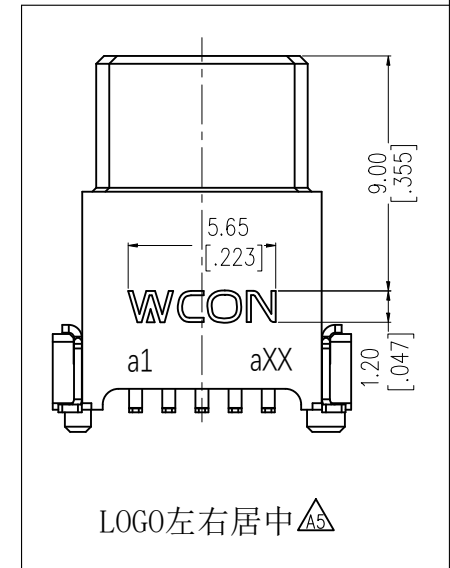
Blank=W/O WCON
 W=W/T WCON

Contact Material	PART NO.	No. of Pins	Rated Current (Max.): A (20 $^{\circ}$ C ambient temperature)
C5191	3910-SXXX-136MXXWR1(W)	< 30P	2.16A
		30~50P	1.8A
		> 50P	1.44A
C7025	3910-SXXX-136MXXWR7(W)	< 30P	3.36A
		30~50P	2.8A
		> 50P	2.24A

PIN	M
10~40PIN	0.12
42~100PIN	0.15



REV	DATE	MODIFICATION DESCRIPTION	CHANGE	OPERATION	DRAW	DATE	SCALE	PART NO.
B0	2023/12/08	Modify Rated Current	GH	OPERATION	DRAW	2023/12/08	1:1	3910-SXXX-136MXXWRX(W) Δ
A5	2020/11/12	Add W/T WCON LOGO SPEC&P/N	XSR	x.x ± 0.40	GH	DATE	UNIT	TITLE:
A4	2019/12/12	Modify	XSR	x.xx ± 0.25	CHECK	DATE	SIZE	1.27mm Pitch SDC CONNECTORS
A0	2017/08/28	NEW		x.xxx ± 0.15		DATE	SHEET	FEMALE"E"TYPE, H=13.6(TYPE B)
				Angle $\pm 3^{\circ}$	APPROVE	DATE	PROJ.	Customer NO.
				DIM TOL				



WCON

Http: www.wcon.com

WCON-Dongguan
 Tel: +86 769 85358920
 Fax: +86 769 85358915
 E-mail: sales@wcon.com

WCON-Kunshan
 Tel: +86 512 57468408
 Fax: +86 512 57468468
 E-mail: salesks@wcon.com