

HSF

NOTES:

- 1.Current Rating:1.0A Max (per pos) AT 20°C;
- 2.Contact Resistance: 30mΩ Max;
- 3.Operating Temperature: -40°C to +125°C;
- 4.Contact Material: Copper Alloy;
- 5.Contact plating:
GX:xxμ" Gold on contact area (See ordering information),
50μ" Nickel underplating overall;
- 6.Wire Size Range:28-26AWG;
- 7.Insulation range:0.7-1.2mm;

Ordering Information

M006E - F T P GO 02

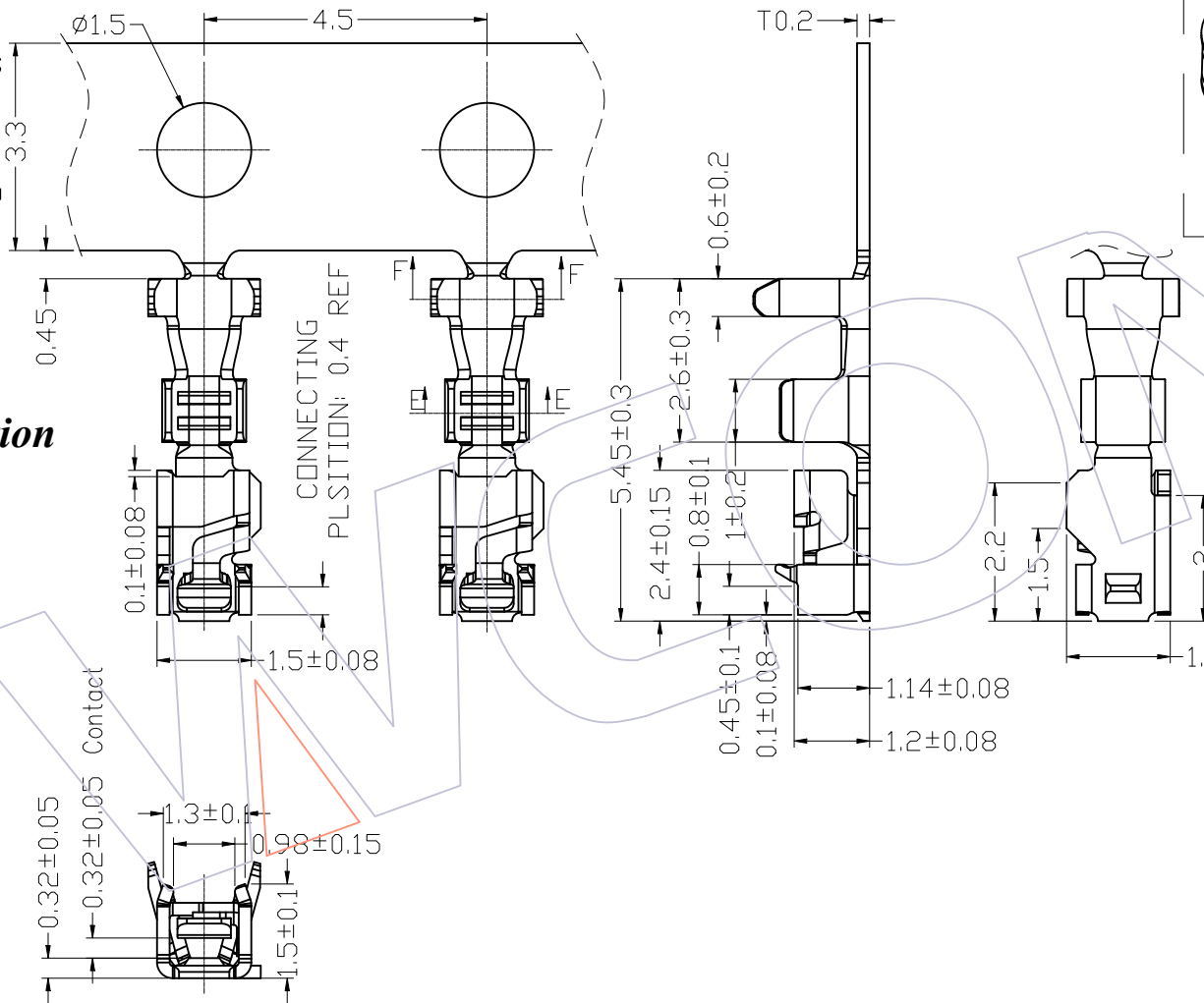
F=SOCKET

Terminal

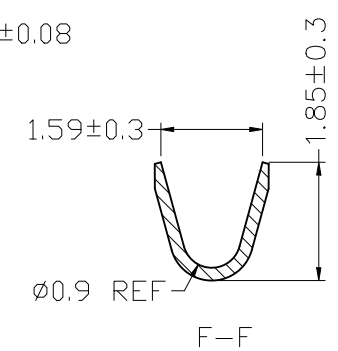
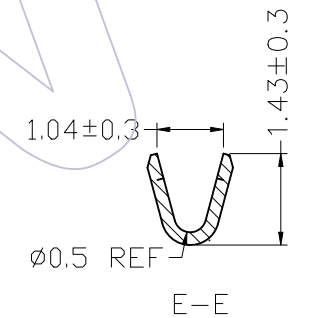
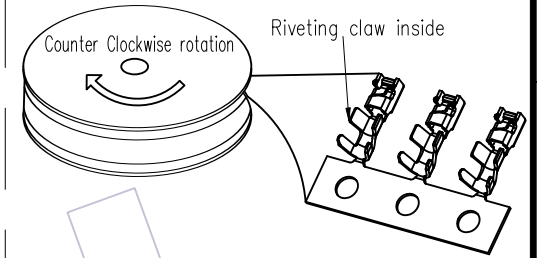
Material:
P=C5191

Contact Plating:
GO=Gold FLASH

Applicable wire gauge:
02=28-26AWG



SCHEMATIC DIAGRAM OF DISCHARGE DIRECTION



				OPERATION	DRAW	DATE	SCALE	FIT	PART NO.
				X.X ±0.40	Houfu Peng	2023. 01. 03	UNIT	mm	M006E-FTPG002
				X.XX ±0.25	CHECK	DATE	SIZE	A4	TITLE: 2.0mm Servomotor M006
A0	2023. 01. 03	NEW		X.XXX ±0.15	APPROVE	DATE	SHEET	1/1	Encode/Brake Crimp Terminal
REV	DATE	MODIFICATION DESCRIPTION	CHANGE	Angle ± 3°			PROJ.	Customer NO.	
				DIM TOL					



Http: www.wcon.com

WCON-Dongguan Tel: +86 769 85358920 Fax: +86 769 85358915 E-mail: sales@wcon.com	WCON-Kunshan Tel: +86 512 57468408 Fax: +86 512 57468468 E-mail: salesks@wcon.com
---	--