

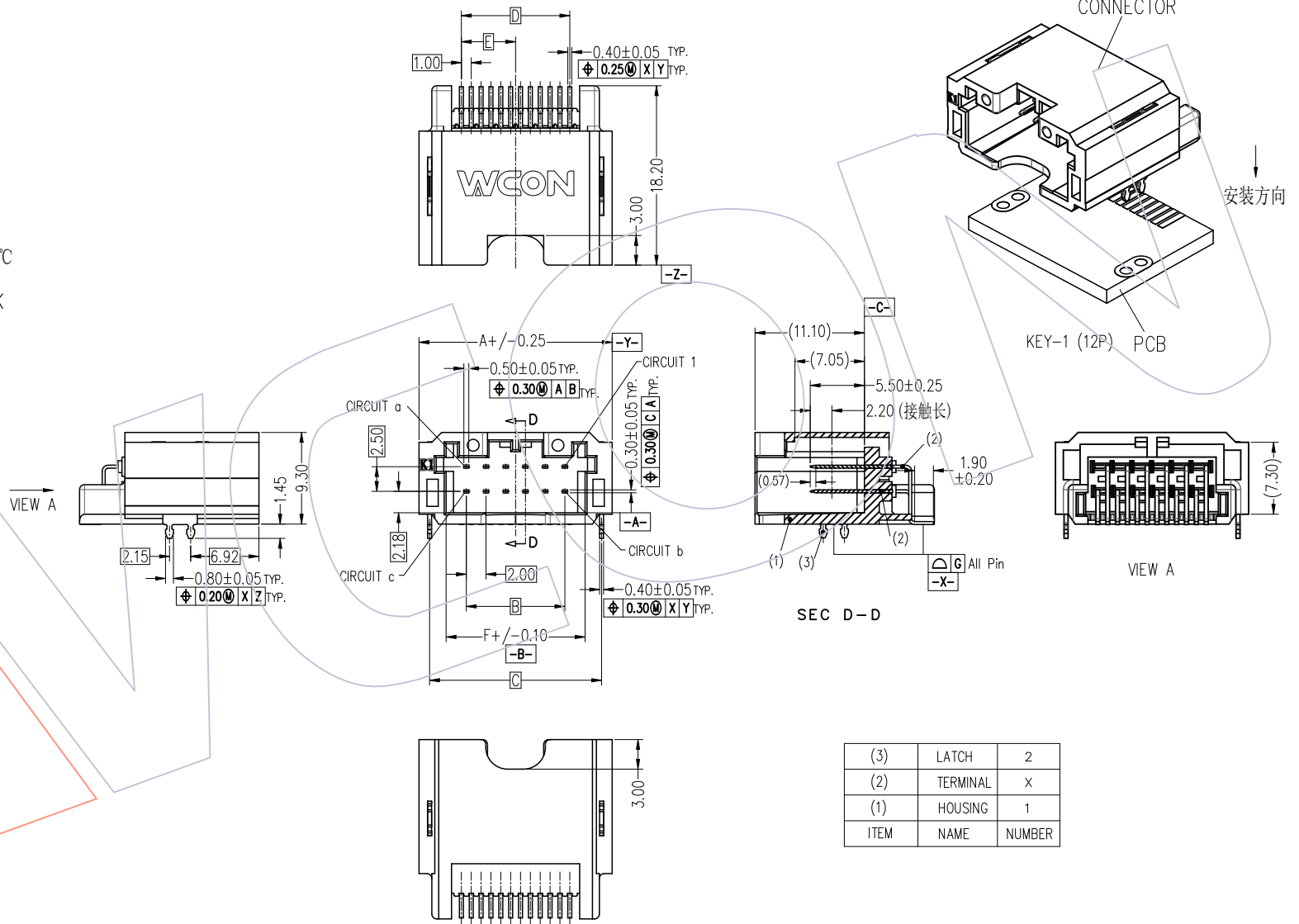
HSF

NOTES:
 Rated Current: 3.0AMP.
 Rated Voltage: 50V.
 Contact Resistance: 25mΩ Max.
 Withstand Voltage: 1000V AC/DC
 Insulation Resistance: 100MΩ Min.
 Operation Temperature: -40°C to +125°C

Insulator Material: PPS G.F UL94V-0 BK
 Contact Material: Copper Alloy
 Latch Material: Copper Alloy
 Contact Plating:
 100-200u" SN Over Ni
 50-80u" Ni underplating overall;
 Latch Plating:
 100-200u" SN Over Ni
 50-80u" Ni underplating overall;

Recommended process:
 IR soldering,
 Peak temperature: 260±5°C, 5s ;

POS.	A	B	C	D	E	F	G
08	15.60	6.00	13.45	7.00	3.50	10.10	0.10 Max
12	19.60	10.00	17.45	11.00	5.50	14.10	
16	23.60	14.00	21.45	15.00	7.50	18.10	
20	27.60	18.00	25.45	19.00	9.50	22.10	
24	31.60	22.00	29.45	23.00	11.50	26.10	0.12 Max
28	35.60	26.00	33.45	27.00	13.50	30.10	
32	39.60	30.00	37.45	31.00	15.50	34.10	
40	47.60	38.00	45.45	39.00	19.50	42.10	



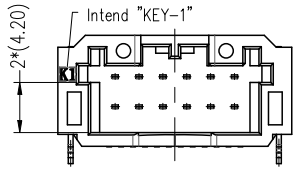
ITEM	NAME	NUMBER
(3)	LATCH	2
(2)	TERMINAL	X
(1)	HOUSING	1

REV	DATE	MODIFICATION DESCRIPTION	CHANGE	DIM	TOL	OPERATION	DRAW	DATE	SCALE	Fit	PART NO.
A3	2023/09/26	Products add Fool-proofing lettering; Add circuit bit mark; Update drawing	Morris			OPERATION	Morris	2022/07/05	UNIT	mm	72025- 2 M Z 0XX X X SN B R X X
A2	2023/06/01	Update Coding Explanation & Drawing	Morris			CHECK			SIZE	A4	TITLE:
A1	2022/07/05	Update Drawing	Morris						SHEET	1/3	2.0*2.5mm Auto-Conn, Dual Row Male, R/A SMT TYPE, W/T Lock,
A0	2021/08/05	NEW	-----			APPROVE			PROJ.		Customer NO.

WCON
 Http: www.wcon.com

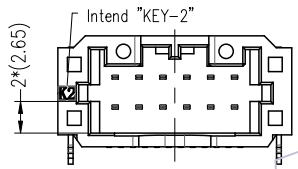
WCON-Dongguan WCON-Kunshan
 Tel: +86 769 85358920 Tel: +86 512 57468408
 Fax: +86 769 85358915 Fax: +86 512 57468468
 E-mail: sales@wcon.com E-mail: salesks@wcon.com

HSF



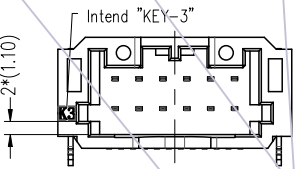
KEY-1

72025- 2 M Z 0XX X X SN B R 1 X



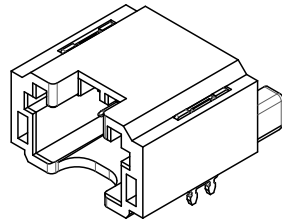
KEY-2

72025- 2 M Z 0XX X X SN B R 2 X

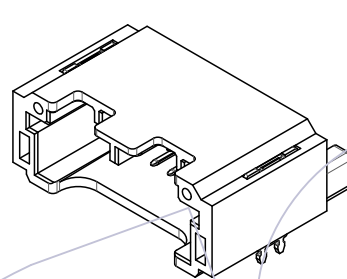


KEY-3

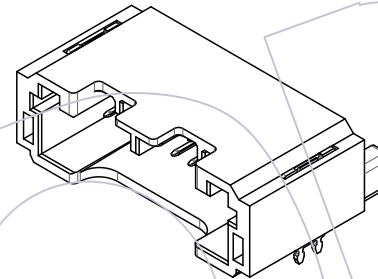
72025- 2 M Z 0XX X X SN B R 3 X



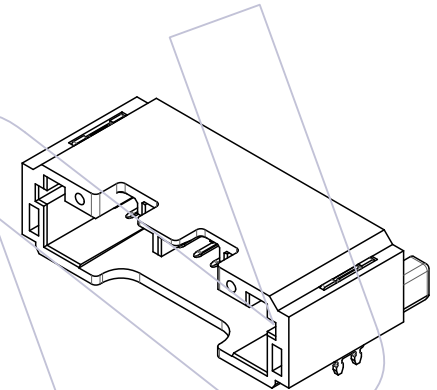
KEY-1 (08P)



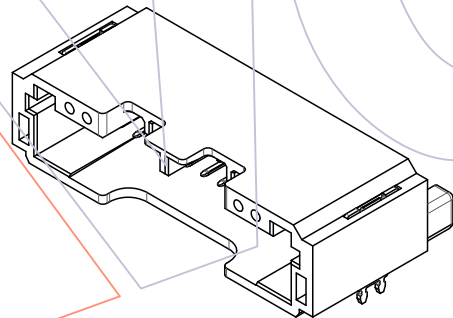
KEY-1(16P)



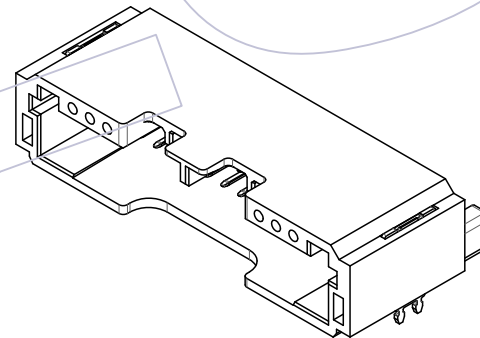
KEY-1(20P)



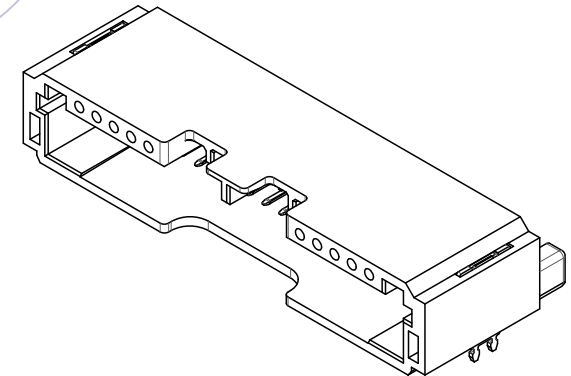
KEY-1(24P)



KEY-1(28P)



KEY-1(32P)



KEY-1(40P)

A3	2023/09/26	Products add Fool-proofing lettering; Add circuit bit mark;Update drawing	Morris	OPERATION	DRAW	DATE	SCALE	Fit	PART NO.
A2	2023/06/01	Update Coding Explanation & Drawing	Morris	x.X ±0.40	Morris	2022/07/05	UNIT	mm	72025- 2 M Z 0XX X X SN B R X X
A1	2022/07/05	Update Drawing	Morris	x.XX ±0.25	CHECK	DATE	SIZE	A4	TITLE:
A0	2021/08/05	NEW	-----	x.XXX ±0.15	APPROVE	DATE	SHEET	2/3	2.0*2.5mm Auto-Conn,Dual Row Male, R/A SMT TYPE,W/T Lock,
REV	DATE	MODIFICATION DESCRIPTION	CHANGE	Angle ± 3°			PROJ.	⊕	Customer NO.
				DIM TOL					

WCON

Http: www.wcon.com

WCON-Dongguan	WCON-Kunshan
Tel: +86 769 85358920	Tel: +86 512 57468408
Fax: +86 769 85358915	Fax: +86 512 57468468
E-mail: sales@wcon.com	E-mail: salesks@wcon.com

HSF

72025- 2 M Z 0XX X B SN B R X W

Recommended P.C.B Layout (Top Side)
 (PCB BOARD TOLERANCE±0.05,T=1.6mm)
 [-U-] PCB TOP SIDE SURFACE

Product Code

Double row

Male

R/A SMT Type

No. of Pins

040: 40 Pin
 036: 36 Pin

008: 8 Pin

W=W/T WCON
 Blank=W/0 WCON

Key Code

1=Key-1
 2=Key-2
 3=Key-3

Package

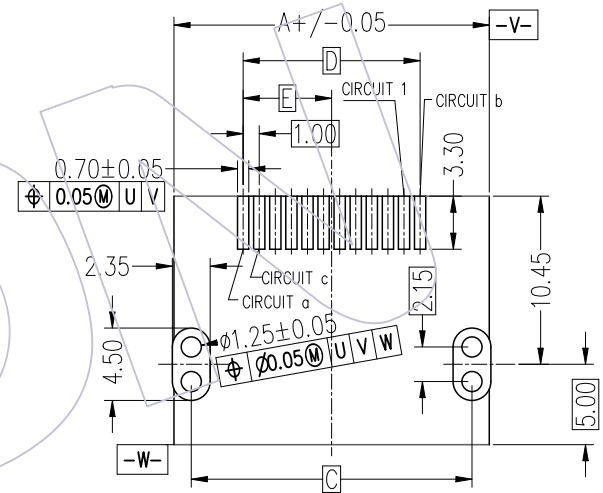
R: Reel

NO SEAL

Plating
 SN=Bright Tin

COLOR
 B=BLACK

F=PPS



Proposal solder pastes thickness=0.15mm Min

A3	2023/09/26	Products add Fool-proofing lettering; Add circuit bit mark; Update drawing	Morris	OPERATION	DRAW	DATE	SCALE	Fit	PART NO. 72025- 2 M Z 0XX X X SN B R X X
A2	2023/06/01	Update Coding Explanation & Drawing	Morris	X.X ±0.40	Morris	2022/07/05	UNIT	mm	
A1	2022/07/05	Update Drawing	Morris	X.XX ±0.25	CHECK	DATE	SIZE	A4	
A0	2021/08/05	NEW	-----	X.XXX ±0.15	APPROVE	DATE	SHEET	3/3	
REV	DATE	MODIFICATION DESCRIPTION	CHANGE	Angle ± 3°			PROJ.	⊕	
				DIM	TOL				

WCON

Http: www.wcon.com

WCON-Dongguan
 Tel: +86 769 85358920
 Fax: +86 769 85358915
 E-mail: sales@wcon.com

WCON-Kunshan
 Tel: +86 512 57468408
 Fax: +86 512 57468468
 E-mail: salesks@wcon.com

Customer NO.