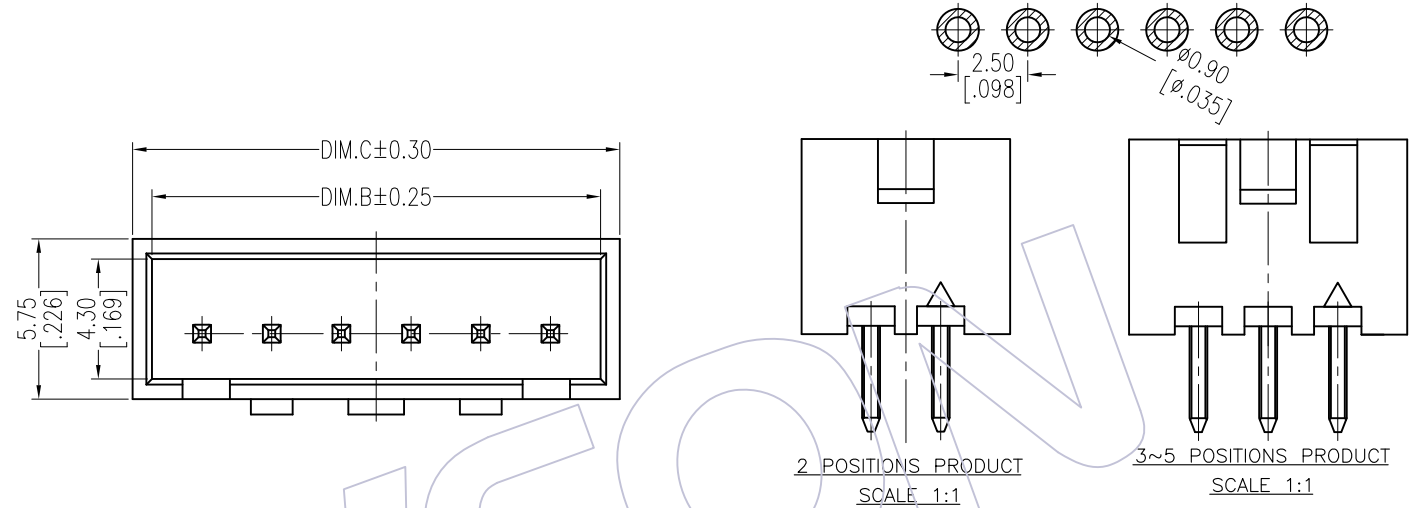


HSF

NOTES:
 Current Rating: 3.0AMP
 Contact Resistance: 20mΩ Max
 Withstand Voltage: 800V AC/DC
 Insulation Resistance: 1000MΩ Min
 Operation Temperature: -25°C to +85°C

Contact Material: Brass
 Contact plating: Au Or Sn over Ni
 Insulator Material: PA66 UL94V-0

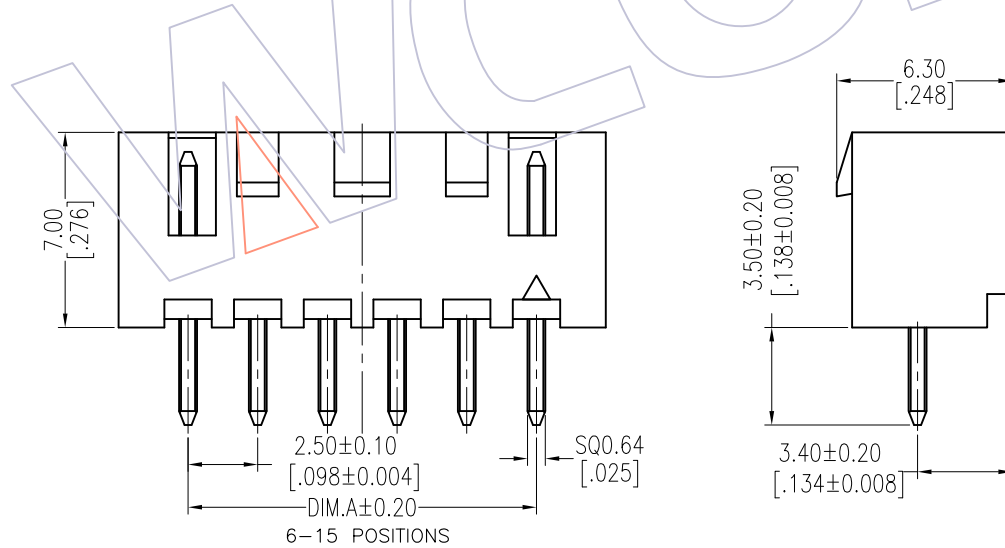
Recommended P.C.B Layout (Top Side)
 (PCB BOARD TOLERANCE ±0.05)



Ordering Information

WF2501A - WS XX W 0 1

H=PA46 No. of pins Contact Plating Color Packing
 Blank=PA66 02~15P G0=Gold Flash B=Black 0=PE Bag
 G3=10u"Gold G4=15u"Gold W=White T=Tube
 G5=30u"Gold Blank=Tin



No. Of POSITION	DIM.A	DIM.B	DIM.C
02	2.50	6.10	7.48
03	5.00	8.60	9.98
04	7.50	11.10	12.48
05	10.00	13.60	14.98
06	12.50	16.10	17.48
07	15.00	18.60	19.98
08	17.50	21.10	22.48
09	20.00	23.60	24.98
10	22.50	26.10	27.48
11	25.00	28.60	29.98
12	27.50	31.10	32.48
13	30.00	33.60	34.98
14	32.50	36.10	37.48
15	35.00	38.60	39.98

REV	DATE	MODIFICATION DESCRIPTION	CHANGE	OPERATION	DRAW	DATE	SCALE	FIT	PART NO.
				x.x ±0.40	JYHuang	2013/06/25	UNIT	mm	WF2501A-WSXXW01
				x.xx ±0.25	CHECK	DATE	SIZE	A4	TITLE:
				x.xxx ±0.15	APPROVE	DATE	SHEET	1/1	2.50 PITCH 180° DIP TYPE SING ROW WAFER
				Angle ± 3'			PROJ.		Customer NO.
				DIM TOL					

WCON

Http: www.wcon.com

WCON-Dongguan Tel: +86 769 85358920 Fax: +86 769 85358915 E-mail: sales@wcon.com

WCON-Kunshan Tel: +86 512 57468408 Fax: +86 512 57468468 E-mail: salesks@wcon.com