

# HSF

Recommended P. C. B Layout (Top Side)  
(PCB BOARD TOLERANCE  $\pm 0.05$ )

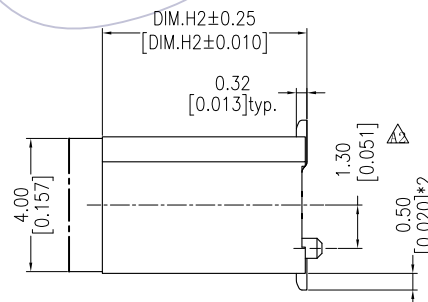
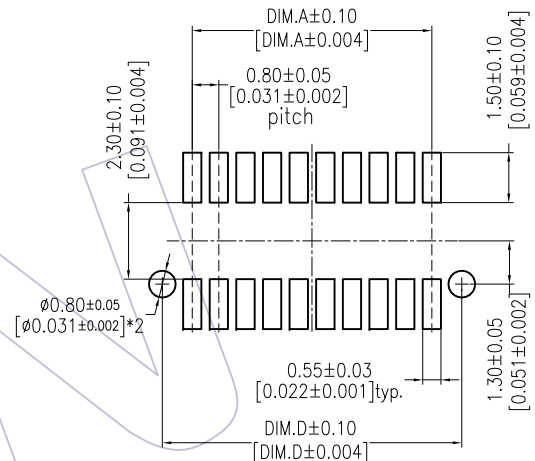
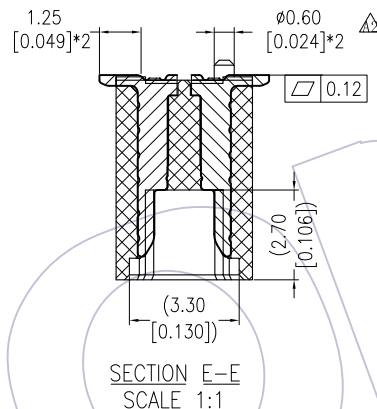
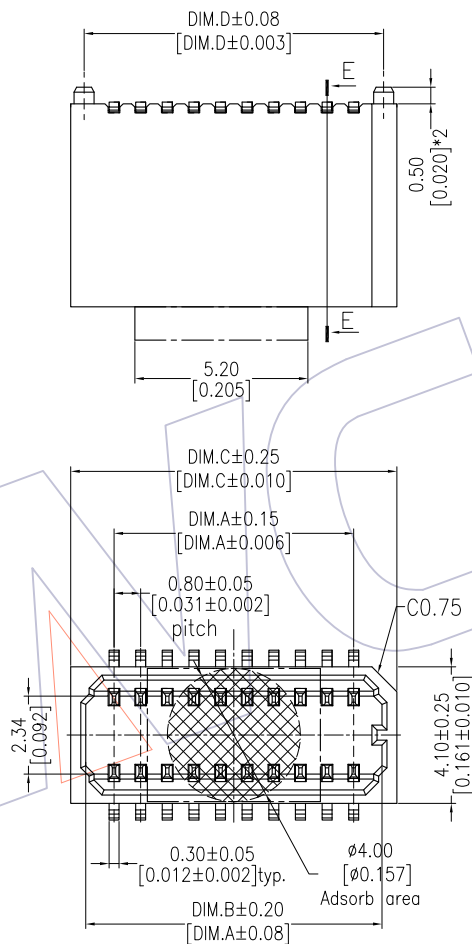
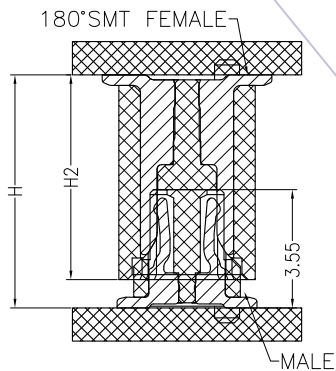
NOTES:  
Current Rating:0.5AMP  
Contact Resistance:30m $\Omega$  max  
Withstand Voltage:500V AC/DC  
Insulation Resistance:100M $\Omega$  min  
Operation Temperature:-20°C to +105°C

Contact Material:Phosphor Bronze  
Housing Material:PA9T(UL94V-0)  
Contact plating:Au or Sn over Ni

### Ordering Information

3612-S XXX - XXX XX R 01

No. of Pins    Housing High Female=H2    Contact Plating  
G1=3u"Gold    T=Tube    P=Tube+CAP  
G2=5u"Gold    R=Tape&Reel+CAP  
S1=3u"Gold/Tin    S2=5u"Gold/Tin



PART NO.	FEMALE(H2)
3612-SXXX-036XXR01	3.65
3612-SXXX-041XXR01	4.15
3612-SXXX-047XXR01	4.70
3612-SXXX-051XXR01	5.15
3612-SXXX-056XXR01	5.65
3612-SXXX-061XXR01	6.15

17.00	17.80	16.90	15.20	40
16.20	17.00	16.10	14.40	38
15.40	16.20	15.30	13.60	36
14.60	15.40	14.50	12.80	34
13.80	14.60	13.70	12.00	32
13.00	13.80	12.90	11.20	30
12.20	13.00	12.10	10.40	28
11.40	12.20	11.30	9.60	26
10.60	11.40	10.50	8.80	24
9.80	10.60	9.70	8.00	22
9.00	9.80	8.90	7.20	20
8.20	9.00	8.10	6.40	18
7.40	8.20	7.30	5.60	16
6.60	7.40	6.50	4.80	14
5.80	6.60	5.70	4.00	12
5.00	5.80	4.90	3.20	10
DIM.D	DIM.C	DIM.B	DIM.A	PIN NO.

ASS'Y HEIGHT(H)	FEMALE(H2)	MALE(H1)
4.50	3.65	3.55 $\Delta$
5.00	4.15	
5.65	4.70	
6.00	5.15	
6.50	5.65	
7.00	6.15	

REV	DATE	MODIFICATION DESCRIPTION	CHANGE	OPERATION	DRAW	DATE	SCALE	FIT	PART NO.
A2	2015/12/29	内柱位置:1.20 $\rightarrow$ 1.30 大小: $\phi 0.75 \rightarrow \phi 0.60$	$\Delta$	X.X $\pm 0.40$	JYHuang	2015/12/29	UNIT mm	mm	3612-SXXX-XXXXXR01
A1	2013/05/02	Modify	$\Delta$	X.XX $\pm 0.25$	CHECK	DATE	SIZE A4	inch	TITLE: 0.80mm B TO B
A0	2013/03/22	NEW	—	X.XXX $\pm 0.15$	APPROVE	DATE	SHEET 1/1	1/1	"M" FEMALE 180° SMT TYPE
				Angle $\pm 3'$			PROJ.	$\phi$	Customer NO.
				DIM TOL					

**WCON**  
Http: www.wcon.com

WCON-Dongguan    WCON-Kunshan  
Tel: +86 769 85358920    Tel: +86 512 57468408  
Fax: +86 769 85358915    Fax: +86 512 57468468  
E-mail: sales@wcon.com    E-mail: salesks@wcon.com