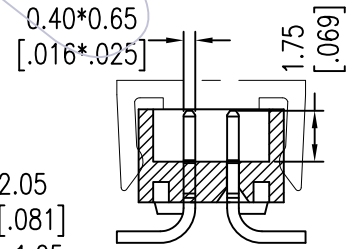
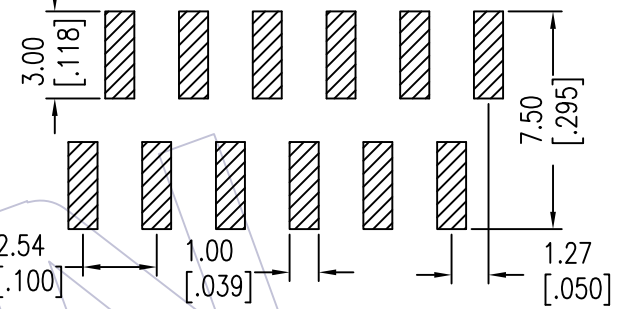
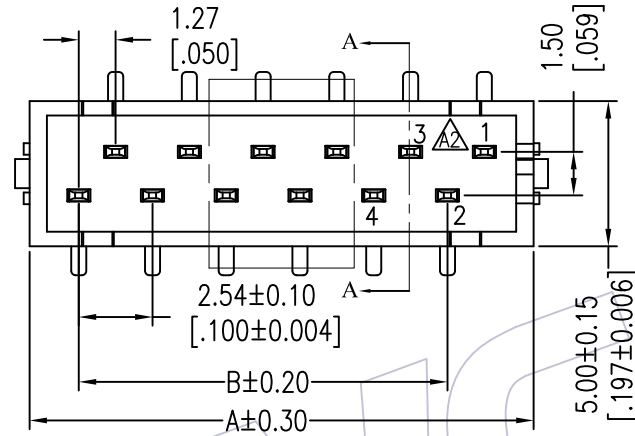


# HSF

NOTES:  
 Current Rating: 1.0AMP  
 Contact Resistance: 20mΩ Max  
 Withstand Voltage: 500V AC/DC  
 Insulation Resistance: 1000MΩ Min  
 Operation Temperature: -40°C to +105°C

Contact Material: Phosphor Bronze  
 Contact plating: Sn over Ni  
 Insulator Material: PA46+30%G.F UL94V-0

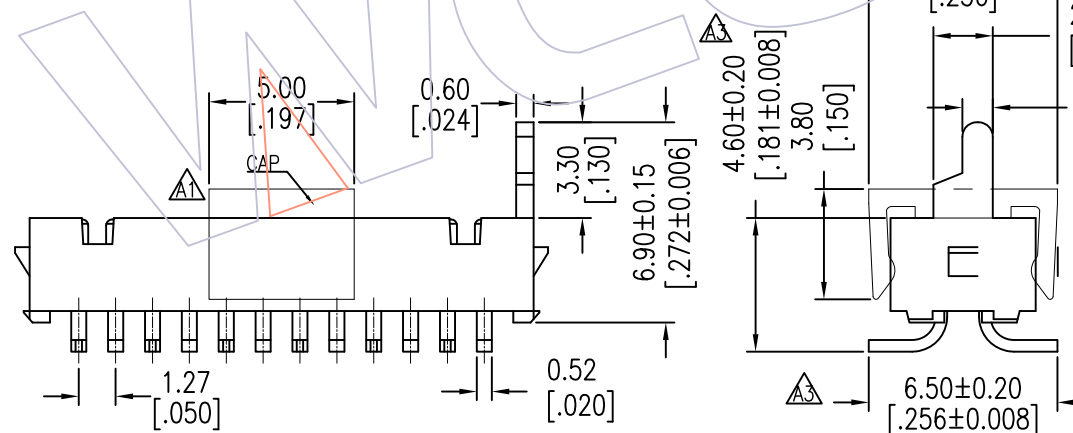
Recommended P.C.B Layout (Top Side)  
 (PCB BOARD TOLERANCE ±0.05)



## Ordering Information

3900 -XX MM XX E N R 01

No. of pins: 04P 12P, 06P 14P, 08P 16P, 10P 18P, 20P  
 Contact Plating: SN=Tin  
 Material: E=PA46  
 Packing: R=Reel+CAP



Dimensional & Ordering Information

Circuit	Part No.	Dimension	
		A	B
04	3900-04MMSNENR01	7.20	2.54
06	3900-06MMSNENR01	9.74	5.08
08	3900-08MMSNENR01	12.28	7.62
10	3900-10MMSNENR01	14.82	10.16
12	3900-12MMSNENR01	17.36	12.70
14	3900-14MMSNENR01	19.90	15.24
16	3900-16MMSNENR01	22.44	17.78
18	3900-18MMSNENR01	24.98	20.32
20	3900-20MMSNENR01	27.52	22.86

REV	DATE	MODIFICATION DESCRIPTION	CHANGE	OPERATION	DRAW	DATE	SCALE	FIT	PART NO.
A5	2018/05/15	MINI MATCH--1.27mm MRC Connector	-----	OPERATION	DRAW	2018/05/15	UNIT	mm	SEE TAB
A4	2014/05/28	Micro Match---Mini Match	-----	x.X ±0.40	Ding		SIZE	A4	TITLE:
A3	2014/05/02	7.0 → 6.5, 3.75 → 4.60	-----	x.XX ±0.25	CHECK		SHEET	1/1	1.27mm MRC Connector Box Header
A1	2013/10/23	Instead the CAP	-----	x.XXX ±0.15	APPROVE		PROJ.		SMT
				Angle ± 3'					Customer NO.
				DIM TOL					

# WCON

Http: www.wcon.com

WCON-Dongguan Tel: +86 769 85358920 Fax: +86 769 85358915 E-mail: sales@wcon.com  
 WCON-Kunshan Tel: +86 512 57468408 Fax: +86 512 57468468 E-mail: salesks@wcon.com