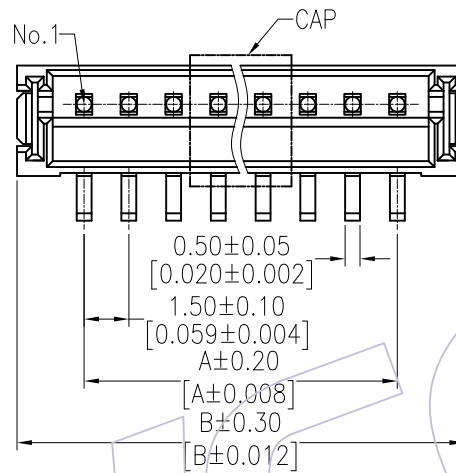
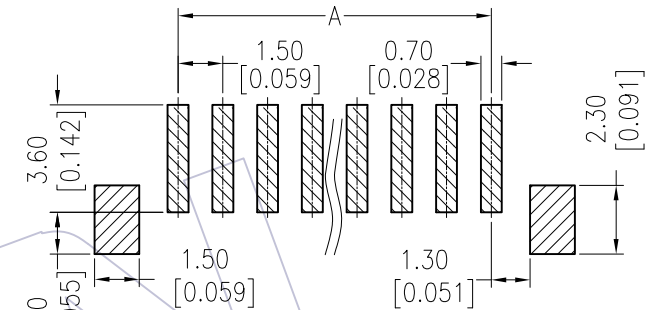


HSF

NOTES:
 Rated Current:1.0AMP
 Rated Voltage:100V AC/DC
 Contact Resistance:20mΩ max
 Withstand Voltage:500V AC/Minute
 Insulation Resistance:500MΩ min
 Operation Temperature:-25°C to +85°C
 Insulator Material:PA6T+30%G.F UL94V-0



Recommended P.C.B Layout(Top Side)
 (PCB BOARD TOLERANCE±0.05)



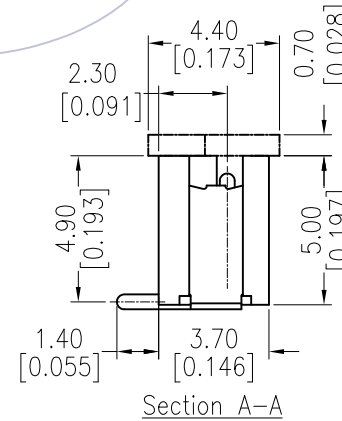
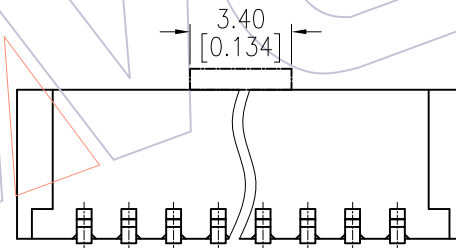
Specification & Ordering Information:

Circuit	Part No.	Dimension		Q'ty /Reel
		A	B	
02	WF1501-WM02XR1	1.50	6.00	1,000
03	WF1501-WM03XR1	3.00	7.50	1,000
04	WF1501-WM04XR1	4.50	9.00	1,000
05	WF1501-WM05XR1	6.00	10.50	1,000
06	WF1501-WM06XR1	7.50	12.00	1,000
07	WF1501-WM07XR1	9.00	13.50	1,000
08	WF1501-WM08XR1	10.50	15.00	1,000
09	WF1501-WM09XR1	12.00	16.50	1,000
10	WF1501-WM10XR1	13.50	18.00	1,000
11	WF1501-WM11XR1	15.00	19.50	1,000
12	WF1501-WM12XR1	16.50	21.00	1,000
13	WF1501-WM13XR1	18.00	22.50	1,000
14	WF1501-WM14XR1	19.50	24.00	1,000
15	WF1501-WM15XR1	21.00	25.50	1,000
16	WF1501-WM16XR1	22.50	27.00	1,000
17	WF1501-WM17XR1	24.00	28.50	1,000
18	WF1501-WM18XR1	25.5	30.00	1,000
19	WF1501-WM19XR1	27.00	31.50	1,000
20	WF1501-WM20XR1	28.5	33.00	1,000

Ordering Information

WF1501 - WM **XX** **X** **R** 1

No. of pins: 02-15P
 Contact Plating: S0=Gold Flash/Tin, S3=10u"Gold/Tin, S4=15u"Gold/Tin, S5=30u"Gold/Tin, G0=Gold Flash, G3=10u"Gold, G4=15u"Gold, G5=30u"Gold, Blank=Tin
 Color: B=Black, T=Natural, W=White, E=Beige
 Packing: R=Reel



REV	DATE	MODIFICATION DESCRIPTION	CHANGE	OPERATION		DRAW Ding	DATE 2017/07/10	SCALE UNIT	FIT mm inch	PART NO. SEE TAB
				X.X	±0.40					
A1	2017/07/10	Modify the Mylar for the CAP	△	X.XX	±0.25	CHECK	DATE	SIZE	A4	TITLE: ZH 1.50 WAFER 180° SMT
AO	2012/09/03	NEW	—	X.XXX	±0.15	APPROVE	DATE	SHEET	1/1	Customer NO.
				Angle	± 3'			PROJ.	⊕	

WCON

Http: www.wcon.com

WCON-Dongguan Tel: +86 769 85358920 Fax: +86 769 85358915 E-mail: sales@wcon.com
 WCON-Kunshan Tel: +86 512 57468408 Fax: +86 512 57468468 E-mail: salesks@wcon.com