

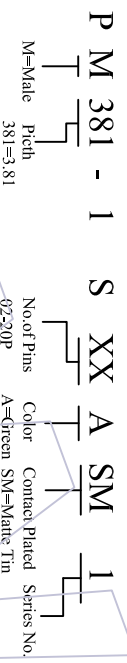
# HSF

Recommended P.C.B Layout (Top Side)  
(PCB BOARD TOLERANCE ± 0.05)

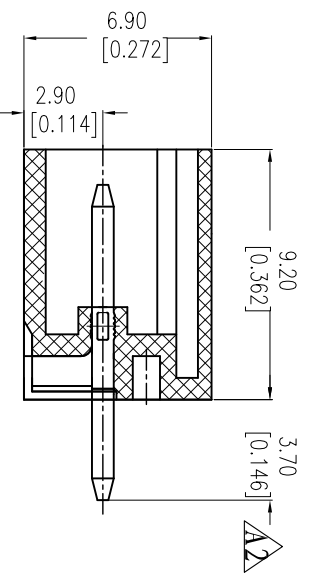
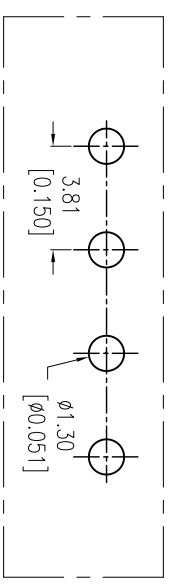
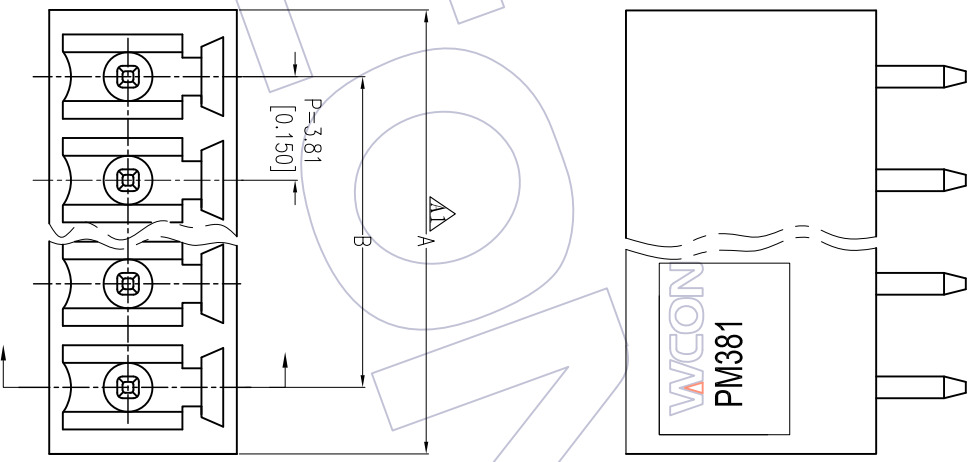
NOTES:  
 Current Rating:8A  
 Voltage Rating:300V  
 Contact Resistance:8milliohm Max  
 Withstand Voltage:AC2000V  
 Insulation Resistance:1000Megohm Min  
 Operation Temperature:-40°C to +105°C

Housing Material:PA66+30%GF(UL94V-0)  $\Delta 3$   
 Contact Material:Brass

### Ordering Information:



	Plating	No. of Pins	Color	Contact Plated	Series No.
11P	43.30 ±0.20	38.10 ±0.20	20P	72.39 ±0.30	
10P	39.49 ±0.20	34.29 ±0.20	19P	68.58 ±0.30	
9P	35.68 ±0.20	30.48 ±0.20	18P	64.77 ±0.30	
8P	31.87 ±0.15	26.67 ±0.15	17P	60.96 ±0.30	
7P	28.06 ±0.15	22.86 ±0.15	16P	57.15 ±0.30	
6P	24.25 ±0.15	19.05 ±0.15	15P	53.34 ±0.30	
5P	20.44 ±0.15	15.24 ±0.15	14P	49.53 ±0.20	
4P	16.63 ±0.15	11.43 ±0.15	13P	45.72 ±0.20	
3P	12.82 ±0.15	7.62 ±0.15	12P	41.91 ±0.20	
2P	9.01 ±0.15	3.81 ±0.10			
PINS	A	B	PINS	A	B



ITEM	Pitch	Mating
Standard	3.81	PF381
Alternate		

REV	DATE	MODIFICATION DESCRIPTION	CHANGE	OPERATION	DRAW	DATE	SCALE	FIT	PART NO.	TITLE:	WCON-Dongguan	WCON-Kunshan
A3	2013/06/05	Modify The Housing Material	$\Delta 3$	XX	Tsingna	2013/06/05	mm		PM381-1SXXASMI	3.81mm Pitch Male	Tel: +86 769 85358920	Tel: +86 512 57468408
A2	2013/04/24	Modify The Dimension 3.50 To 3.70	$\Delta 2$	X.XX	CHECK	DATE	inch			Pluggable Terminal Blocks	Fax: +86 769 85358915	Fax: +86 512 57468468
A1	2012/07/27	MODIFY	$\Delta 1$	X.XXX	APPROVE	DATE	A4				E-mail: sdes@wcon.com	E-mail: sdes@wcon.com
A0	2012/05/15	NEW		± 0.15			1/1		Customer NO.			

## WCON

Http: www.wcon.com

WCON-Dongguan  
 Tel: +86 769 85358920  
 Fax: +86 769 85358915  
 E-mail: sdes@wcon.com

WCON-Kunshan  
 Tel: +86 512 57468408  
 Fax: +86 512 57468468  
 E-mail: sdes@wcon.com