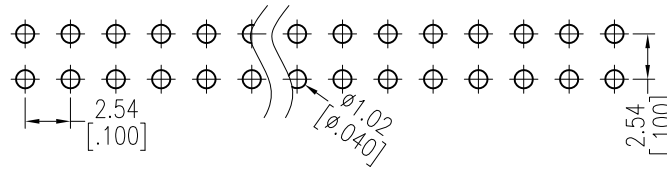


# HSF

## Recommended P.C.B Layout(Top Side) (PCB BOARD TOLERANCE±0.05)



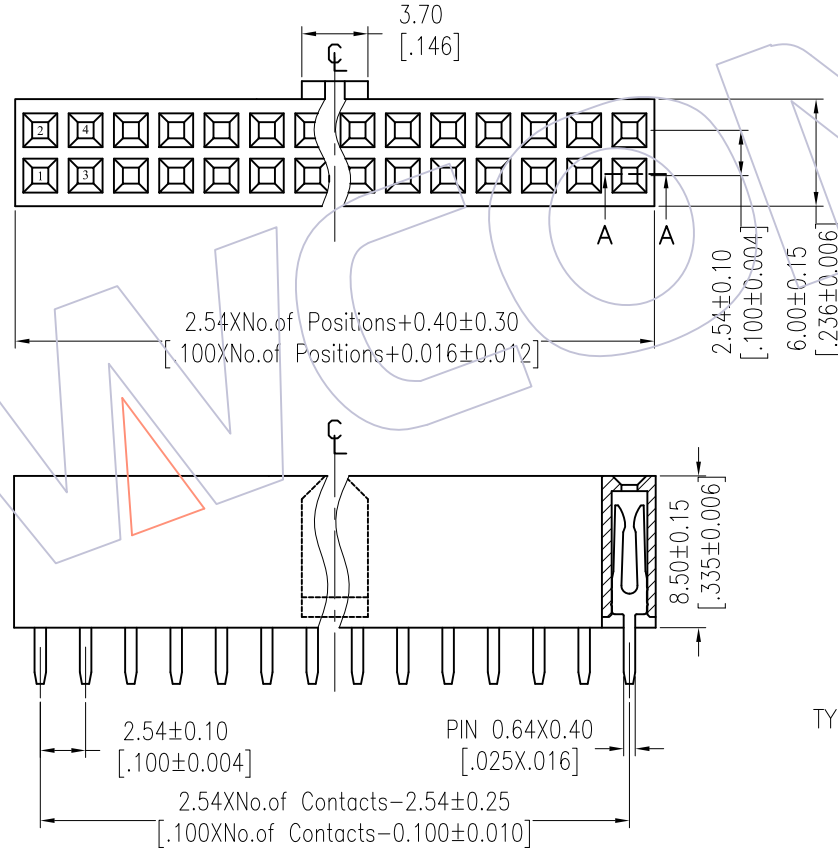
NOTES:  
 Current Rating: 3.0AMP  
 Contact Resistance: 20mΩ Max  
 Withstand Voltage: 1000V AC/DC  
 Insulation Resistance: 1000MΩ Min  
 Operation Temperature: -40°C to +105°C

Contact Material: Phosphor Bronze or Brass  
 Contact plating: Au Or Sn over Ni  
 Insulator Material: PA9T+30%G.F UL94V-0(Std)  
 Or PBT+30%G.F UL94V-0

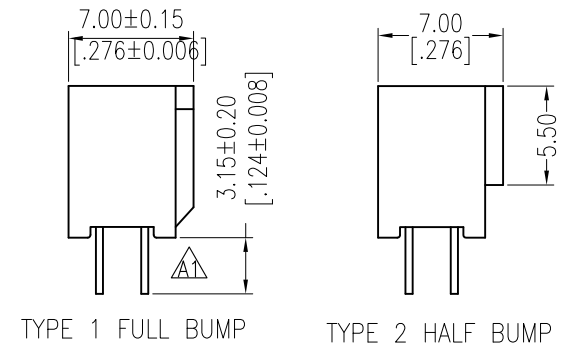
## Ordering Information

2185 - 2 XX S XX X Y N A X

No. of Pins per ROW: 02-27PIN	Contact Plating: G0=Gold Flash G3=10μ"Gold G4=15μ"Gold G5=30μ"Gold S0=Gold Flash/Tin S3=10μ"Gold/Tin S4=15μ"Gold/Tin S5=30μ"Gold/Tin SN=Tin SM=Matte Tin	Insulator: A=PBT C=PA9T	Packing: T=Tube A=Tray	Series No. 3=TYPE 1 4=TYPE 2
-------------------------------	--	-------------------------------	------------------------------	------------------------------------



TITLE	PART NO.
TYPE 1	2185-2XXSXXXYNA3
TYPE 2	2185-2XXSXXXYNA4



Item	Pitch	Mating
Standard	2.54	1115/1120/1125
Alternate		

OPERATION	DRAW	DATE	SCALE	FIT	PART NO.	
A2 2015/08/27 Modify	Allen	2015/08/27	UNIT mm		SEE TABLE	
A1 2014/04/14 Modify drawing	CHECK	DATE	SIZE A4		TITLE: FH2.54mm DUAL ROW 180°DIP H=8.50 WITH BUMP	
A0 2012/08/15 NEW	APPROVE	DATE	SHEET 1/1		Customer NO.	
REV	DATE	MODIFICATION DESCRIPTION	CHANGE	DIM	TOL	PROJ.

# WCON

Http: www.wcon.com

WCON-Dongguan Tel: +86 769 85358920 Fax: +86 769 85358915 E-mail: sales@wcon.com	WCON-Kunshan Tel: +86 512 57468408 Fax: +86 512 57468468 E-mail: salesks@wcon.com
---	--