

# HSF

NOTES:  
 Current Rating: 2.0AMP  
 Contact Resistance: 20mΩ Max  
 Withstand Voltage: 500V AC/DC  
 Insulation Resistance: 1000MΩ Min  
 Operation Temperature: -40°C to +105°C

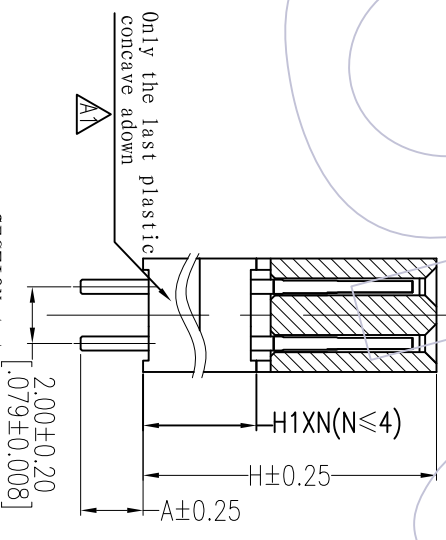
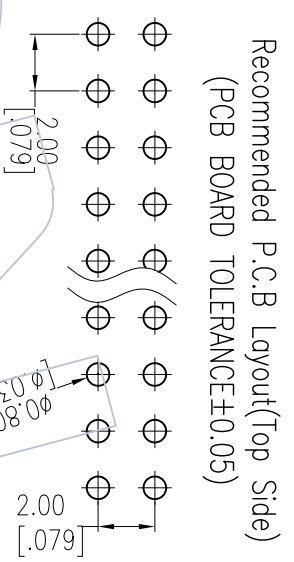
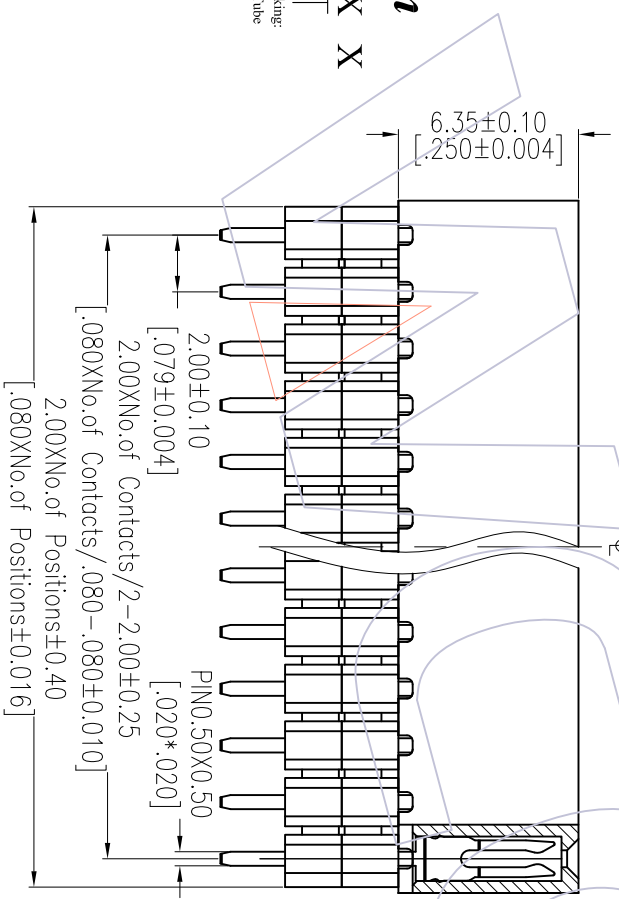
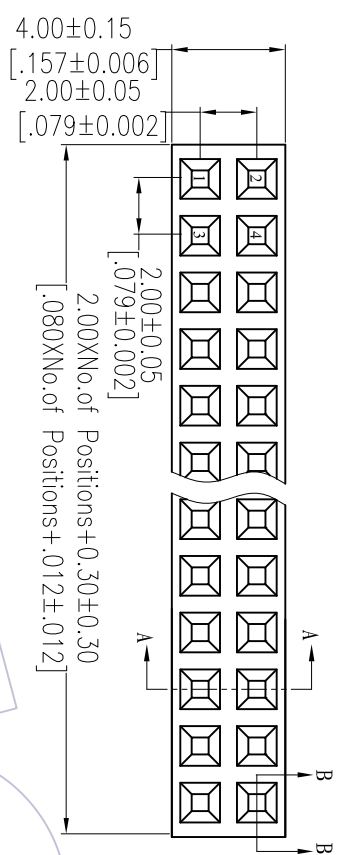
Contact Material: Phosphor Bronze  
 Contact plating: Au Or Sn over Ni  
 Insulator Material: LCP+30%G.F UL94V-0

## Ordering Information

2263D - 2 XX S XX D Y N X X

Neof Pins per ROW: 02-40PIN  
 Contact Plating: G0=Gold Flash, G3=10μr/Gold, G4=15μr/Gold, G5=30μr/Gold  
 Insulator: D=LCP, T=Tube  
 Packing: S0=Gold Flash/Tin, S3=10μr/Gold/Tin, S4=15μr/Gold/Tin, S5=30μr/Gold/Tin, SN=Tin, SM=Mate Tin

Item	Pitch	Mating
Standard	2.00	1215/1220
Alternate		



H1XN(N≤4)	A	H	H1
STANDARD	3.28	8.35	
	2.28	9.35	
	3.80	7.85	1.50/
	12.20	9.35	2.00
	2.28	19.30	
ALTERNATE	13.10	8.35	

OPERATION		DRAW		DATE		SCALE		PART NO.	
XX	±0.40	Wang		2013/04/26	FIT	mm	2263D-2XXXXXDXNXX	TITLE: FH2.00mm DUAL ROW H=6.35 180° DIP ADD HOUSING	
X:XX	±0.25	CHECK		DATE	UNIT	A4		Customer NO.	
X:XXX	±0.15			DATE	SIZE	1/1			
Angle	± 3'	APPROVE		DATE	SHEET				
DM	TOL			DATE	PROJ.				
CHANGE				DATE					
MODIFICATION DESCRIPTION				DATE					
NEW				DATE					
Modify drawing				DATE					
2013/04/26				DATE					
2012/11/07				DATE					
2012/07/23				DATE					
DATE				DATE					

# WCON

WCON-Dongguan  
 Tel: +86 769 85358920  
 Fax: +86 769 85358915  
 E-mail: sales@wcon.com

WCON-Kunshan  
 Tel: +86 512 57468408  
 Fax: +86 512 57468468  
 E-mail: sales@wcon.com

Http: www.wcon.com