

HSPF

Recommended P.C.B Layout(Top Side)
(PCB BOARD TOLERANCE±0.05)

NOTES:

- Rated Current:7.0AMP
- Contact Resistance:30mΩ max
- Withstand Voltage:1000V AC/DC
- Insulation Resistance:1000MΩ min
- Operation Temperature:-40℃ to +105℃

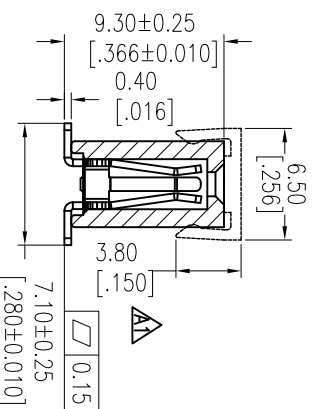
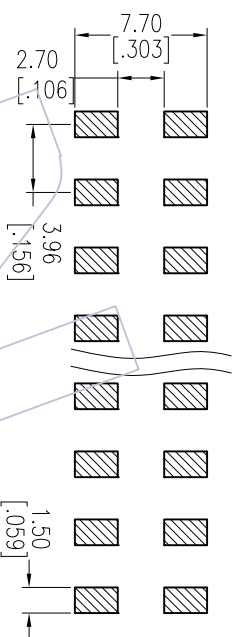
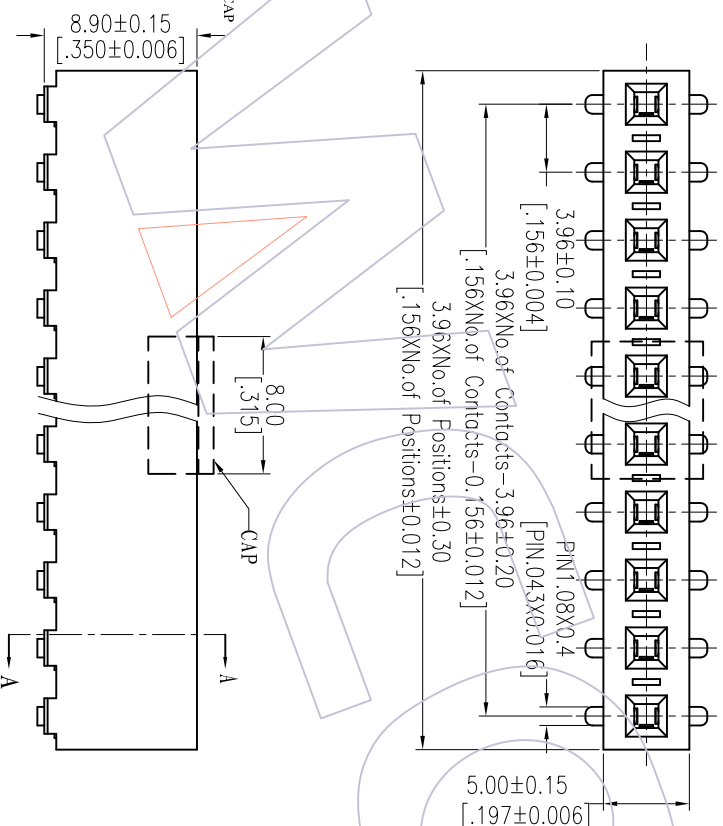
Contact Material:Phosphor Bronze
Contact Plating:Sn Over Ni
Insulator Material:PCP+30%G.F UL94V-0

Ordering Information

2889-1XX M XX D UN T 1

No. of Pins per Row: 02-30Pin
Contact Plating: SN=1in SW=Mate Tin

Packing: T=Tube P=Tube+CAP R=Tube&Reel+CAP



Item	Pitch	Mating
Standard	3.96	1832
Alternate		

REV	DATE	MODIFICATION DESCRIPTION
A1	2013/06/17	Modify GAP 4.30→3.80
A0	2012/08/18	NEW

OPERATION	DRAW	DATE	SCALE	FIT
X.X	wang	2013/06/17	UNIT	mm
X.XX	CHECK	DATE	SIZE	A4
X.XXX	±0.15	DATE	SHEET	1/1
Angle	± 3'	DATE	PROJ.	
DIM	TOL	DATE	PROJ.	

PART NO.	2889-1XXMXXDUNT1
TITLE:	FH3.96 SINGLE ROW 180° SMT
H=8, 9	
Customer NO.	

WCON

Http: www.wcon.com
WCON-Dongguan
Tel: +86 769 85358920
Fax: +86 769 85358915
E-mail: sales@wcon.com
WCON-Kunshan
Tel: +86 512 57468408
Fax: +86 512 57468468
E-mail: sales@wcon.com