

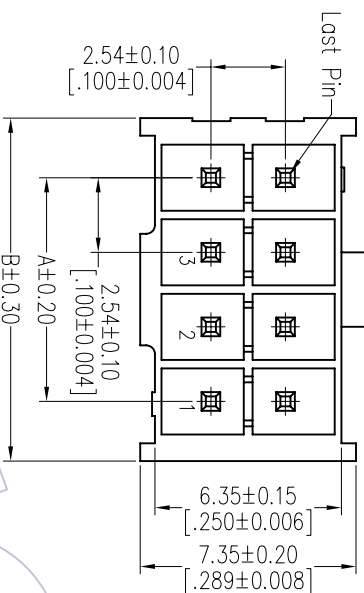
HSP

NOTES:

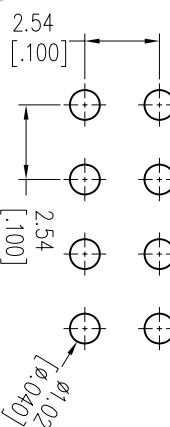
Rated Current: 3.0AMP
 Contact Resistance: 20mΩ max
 Withstand Voltage: 1000V AC/DC
 Insulation Resistance: 1000MΩ min
 Operation Temperature: -55°C to +125°C

Contact Material: Brass
 Contact plating: Au Or Sn Over Ni
 Insulator Material: LCP+30%G.F (UL94V-0)

2.54
[.100]



Recommended P.C.B Layout (Top Side)
 (PCB BOARD TOLERANCE±0.05)

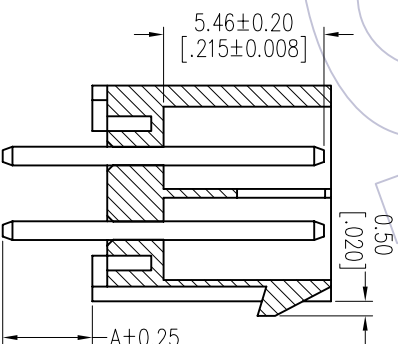
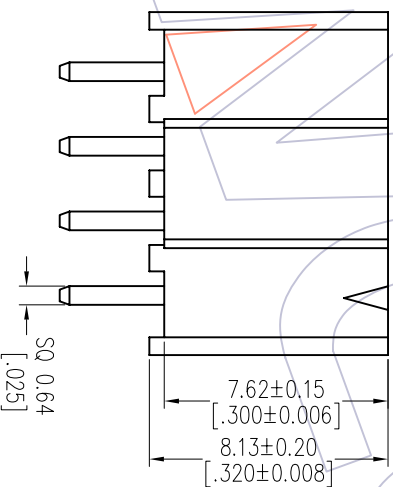


Ordering Information

WF2549 - 2 WS XX X 0 1

No. of Row: 02-25P
 No. of pins: Contact Plating
 S0=Gold Flash/Tin B=Black
 S3=10u"Gold/Tin E=Beige
 S4=15u"Gold/Tin W=White
 S5=30u"Gold/Tin T=Natural
 G0=Gold Flash
 G3=10u"Gold
 G4=15u"Gold
 G5=30u"Gold
 Blank=Tin

Color: 0=PE Bag
 1=Tube



ITEM	A
Standard	3.05
Alternate	

Circuit	Part No.	Dimension	
		A	B
2x02	WF2549-2MS02X01	2.54	6.60
2x03	WF2549-2MS03X01	5.08	9.14
2x04	WF2549-2MS04X01	7.62	11.68
2x05	WF2549-2MS05X01	10.16	14.22
2x06	WF2549-2MS06X01	12.70	16.76
2x07	WF2549-2MS07X01	15.24	19.30
2x08	WF2549-2MS08X01	17.78	21.84
2x09	WF2549-2MS09X01	20.32	24.38
2x10	WF2549-2MS10X01	22.86	26.92
2x11	WF2549-2MS11X01	25.40	29.46
2x12	WF2549-2MS12X01	27.94	32.00
2x13	WF2549-2MS13X01	30.48	34.54
2x14	WF2549-2MS14X01	33.02	37.08
2x15	WF2549-2MS15X01	35.56	39.62
2x16	WF2549-2MS16X01	38.10	42.16
2x17	WF2549-2MS17X01	40.64	44.70
2x18	WF2549-2MS18X01	43.18	47.24
2x19	WF2549-2MS19X01	45.72	49.78
2x20	WF2549-2MS20X01	48.26	52.32
2x21	WF2549-2MS21X01	50.80	54.86
2x22	WF2549-2MS22X01	53.34	57.40
2x23	WF2549-2MS23X01	55.88	59.94
2x24	WF2549-2MS24X01	58.42	62.48
2x25	WF2549-2MS25X01	60.96	65.02

OPERATION
XX ±0.40

DRAW
JYHuang

DATE
2012/09/10

SCALE
UNIT mm

FIT
A4

PART NO.
SEE TAB

CHECK
X.XX ±0.25

CHECK
X.XXX ±0.15

DATE

SIZE
A4

SHEET
1/1

TITLE:
2.54mm WAFER 180° DIP

WCON

Http: www.wcon.com

WCON-Dongguan Tel: +86 769 85358920 WCON-Kunshan Tel: +86 512 57468408

Fax: +86 769 85358915 Fax: +86 512 57468468

E-mail: sales@wcon.com E-mail: sales@wcon.com

REV	DATE	MODIFICATION DESCRIPTION	CHANGE
AO	2012/09/10	NEW	

OPERATION	ANGLE	TOL
XX ±0.40	X.XX ±0.25	X.XXX ±0.15

APPROVE	DATE

PROJ.

CUSTOMER NO.

1 2 3 4 5 6 7 8 9 10