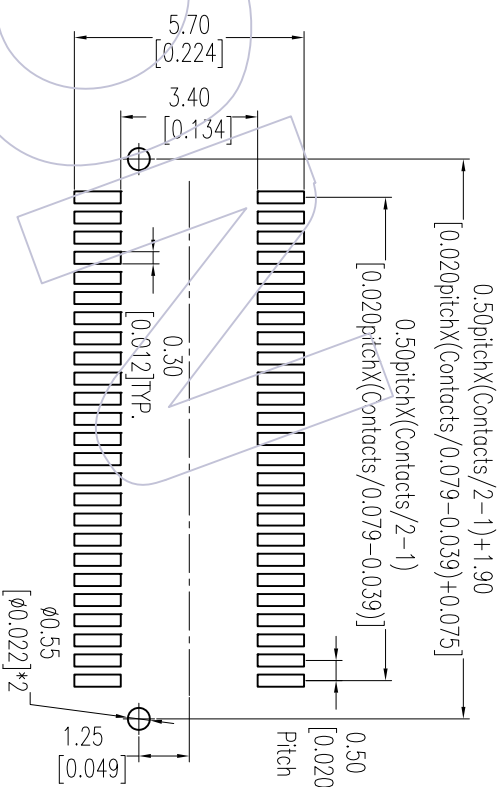
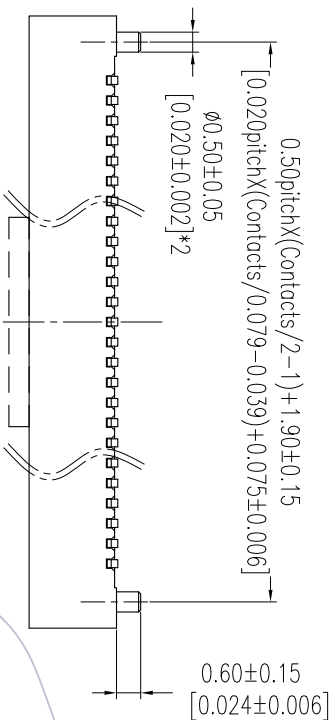


**NOTES:**

Current Rating:0.5A  
 Voltage Rating:50V AC/DC  
 Contact Resistance:50milliohm Max  
 Insulation Resistance:100Megohm Min  
 Operation Temperature:-20Cto+105°C

Housing Material:PA9T+30%G.F.(UL94V-0)  
 Contact Material:Phosphor Bronze  
 Contact plating:Au or Sn over Ni

Recommended P.C.B Layout (Top Side)  
 (PCB BOARD TOLERANCE ± 0.05)

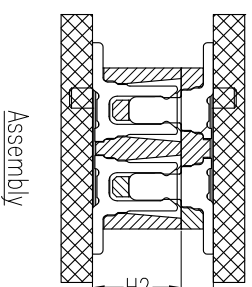
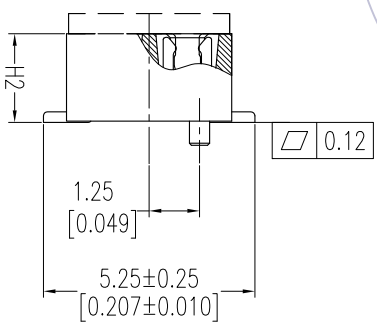
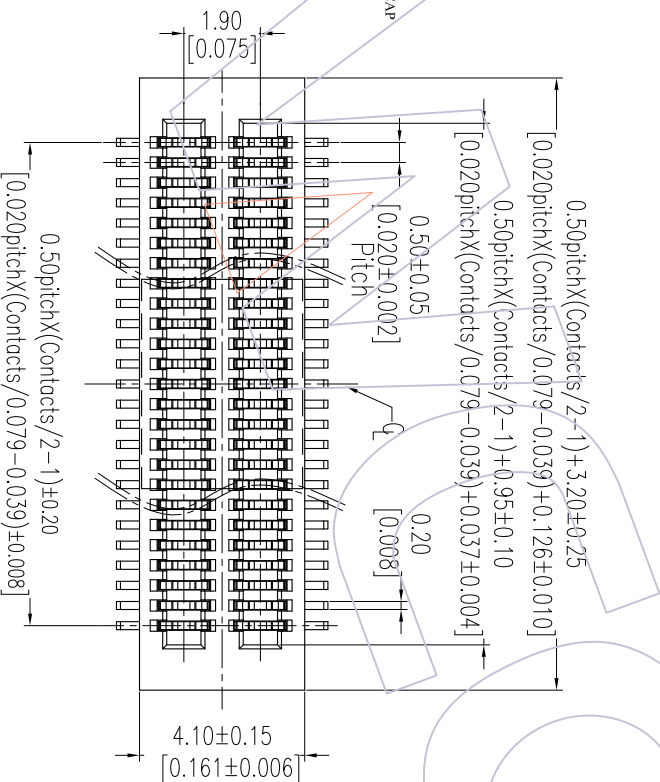


## Ordering Information

3620-S XXX - XXX XX R 01

No.of Pins Housing High Contact Plating  
 GI=3µ"Gold  
 G2=5µ"Gold  
 SI=5µ"Gold/Tin  
 SS=5µ"Gold/Tin  
 T=Tube  
 P=Tube+CAP  
 R=Tube+Reel+CAP

| ASSY HIGH(H) | PLUG(H) | SOCKET(H2) |
|--------------|---------|------------|
| 3.00         | 0.80    | 2.20       |
| 3.50         | 0.80    | 2.70       |
| 4.00         | 1.00    | 3.00       |
| 4.50         | 1.50    | 3.00       |
| 5.00         | 2.00    | 3.00       |
| 5.50         | 1.50    | 4.00       |
| 6.00         | 2.00    | 4.00       |
| 6.50         | 2.00    | 4.50       |



| OPERATION | DRAW    | DATE       | SCALE | FIT  |
|-----------|---------|------------|-------|------|
| XX        | TsingSn | 2012/10/12 | mm    | 1/1  |
| ±0.40     | CHECK   | DATE       | UNIT  | inch |
| ±0.25     | APPROVE | DATE       | SIZE  | A4   |
| ±0.15     | ANGLE   | ± 3'       | SHEET | 1/1  |
| ± 3'      | TOL     |            | PROJ. |      |

| PART NO.           | TITLE:                             |
|--------------------|------------------------------------|
| 3620-SXXX-XXXXXR01 | 0.50mm B TO B FEMALE 180° SMT TYPE |
| Customer NO.       |                                    |



WCON-Dongguan  
 Tel: +86 769 85358920 Fax: +86 512 57468408  
 WCON-Kunshan  
 Tel: +86 769 85358915 Fax: +86 512 57468468  
 E-mail: sales@wcon.com E-mail: sales@wcon.com

| REV | DATE       | MODIFICATION DESCRIPTION | CHANGE |
|-----|------------|--------------------------|--------|
| A1  | 2012/10/12 | Modify                   |        |
| A0  | 2012/06/27 | NEW                      |        |