

HSF

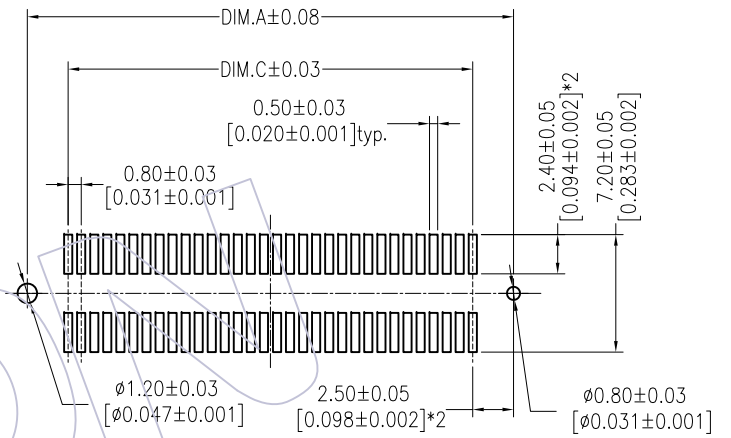
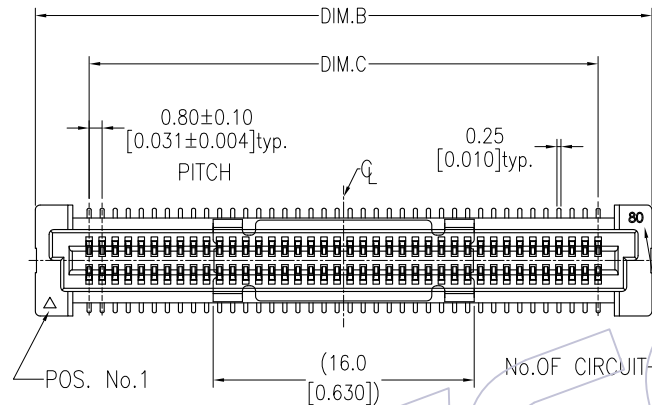
NOTES:

Current Rating:0.5AMP
 Contact Resistance:30mΩ max
 Withstand Voltage:100V AC/DC
 Insulation Resistance:500MΩ min
 Operation Temperature:-40℃ to +125℃

Contact Material:Phosphor Bronze
 Cap Material:SUS,t=0.25mm
 Housing Material:LCP(UL94V-0),Nature
 Contact plating:Au and Tin over Ni

Flatness: <80Pins The "M" Is 0.12mm MAX
 ≥80Pins The "M" Is 0.15mm MAX

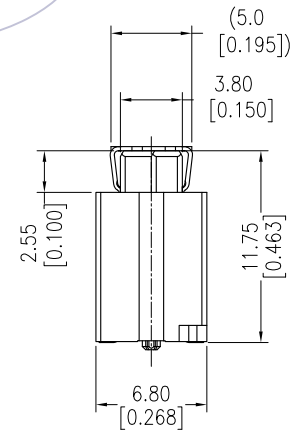
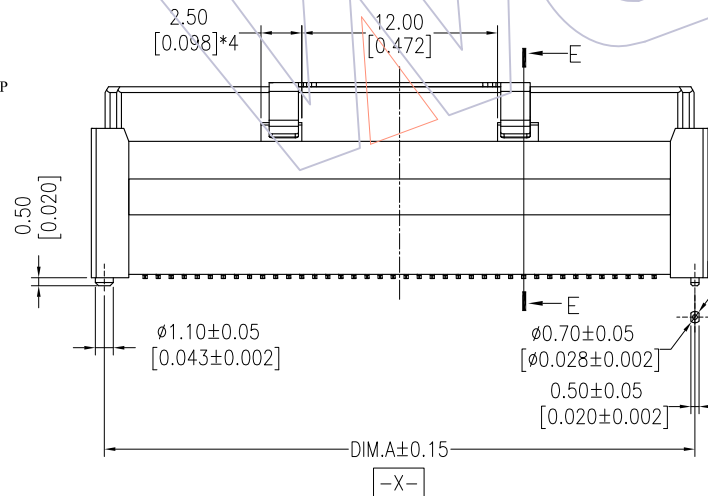
Recommended P. C. B Layout (Top Side)
 (PCB BOARD TOLERANCE ± 0.05)



Ordering Information

3616-S XXX - 117 XX R 01

No.of Pins Housing High Contact Plating R=Tape&Reel+CAP
 S1=3u"Gold/Tin S3=10u"Gold/Tin



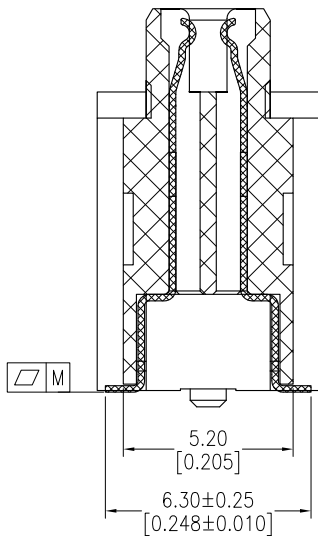
79.20	85.80	84.20	200
71.20	77.80	76.20	180
63.20	69.80	68.20	160
55.20	61.80	60.20	140
47.20	53.80	52.20	120
39.20	45.80	44.20	100
31.20	37.80	36.20	80
23.20	29.80	28.20	60
15.20	21.80	20.20	40
DIM.C	DIM.B	DIM.A	PIN NO.

REV	DATE	MODIFICATION DESCRIPTION	CHANGE	OPERATION		DRAW	DATE	SCALE	FIT	PART NO.
				DIM	TOL					
A1	2014/11/07	Modify	△	X.X	±0.40	Allen	2014/11/07	UNIT	mm	3616-SXXX-117XXR01
A0	2014/06/24	NEW	—	X.XX	±0.25	CHECK	DATE	SIZE	A4	
				X.XXX	±0.15	APPROVE	DATE	SHEET	1/2	
				Angle	± 3'			PROJ.	⊕	Customer NO.

WCON
 Http: www.wcon.com

WCON-Dongguan WCON-Kunshan
 Tel: +86 769 85358920 Tel: +86 512 57468408
 Fax: +86 769 85358915 Fax: +86 512 57468468
 E-mail: sales@wcon.com E-mail: salesks@wcon.com

HSF



SECTION E-E
SCALE 2:1

	3616-PXXX-046XXR01	3616-PXXX-056XXR01	3616-PXXX-066XXR01	3616-PXXX-076XXR01
Assembly				
3616-SXXX-117XXR01				

REV	DATE	MODIFICATION DESCRIPTION	CHANGE	OPERATION		DRAW	DATE	SCALE		FIT	PART NO.
				X.X	±0.40			UNIT	mm		
A1	2014/11/07	Modify		X.XX	±0.25	Allen	2014/11/07	SIZE	inch	A4	3616-SXXX-117XXR01
A0	2014/06/24	NEW		X.XXX	±0.15	CHECK	DATE	SHEET	2/2		TITLE: 0.80mm B TO B Female H=11.75 "T" TYPE SMT
				Angle	± 3'	APPROVE	DATE	PROJ.			Customer NO.
				DIM	TOL						

WCON

Http: www.wcon.com

WCON-Dongguan WCON-Kunshan
Tel: +86 769 85358920 Tel: +86 512 57468408
Fax: +86 769 85358915 Fax: +86 512 57468468
E-mail: sales@wcon.com E-mail: salesks@wcon.com