

HSF

NOTES:

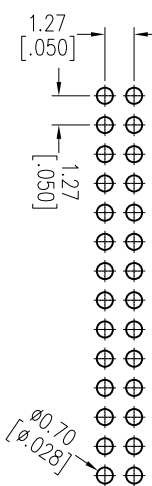
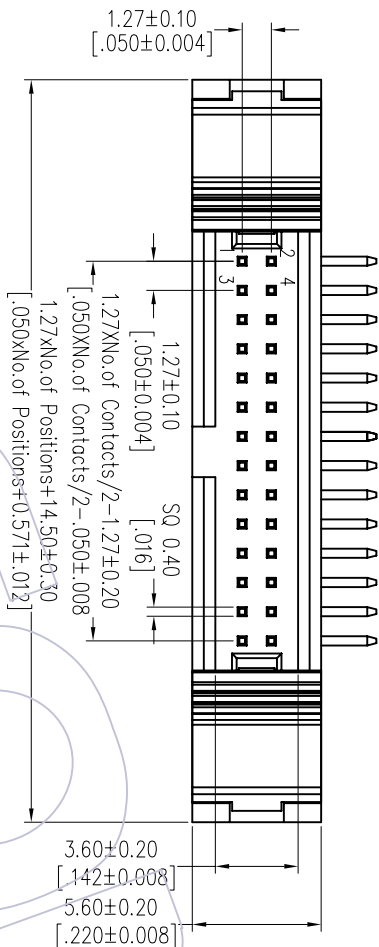
- Current Rating: 1.0AMP
- Contact Resistance: 20mΩ Max
- Withstand Voltage: 500V AC/DC
- Insulation Resistance: 1000MΩ Min
- Operation Temperature: -40°C to +105°C
- Contact Material: Brass
- Contact plating: Au Or Sn over Ni
- Insulator Material: PA9T+30%G.F UL94V-0

Ordering Information

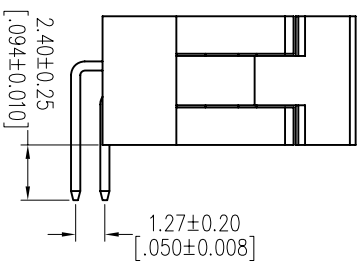
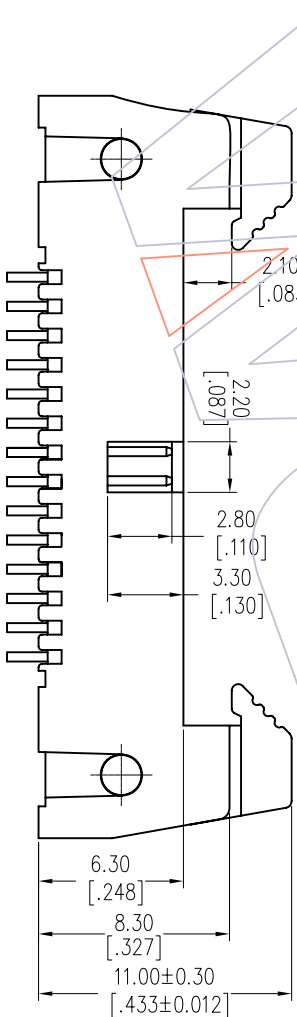
3230-XX R XX B S X 1

- | | | | |
|-------------|-------------------|-----------------|---------|
| No. of Pins | Contact Plating | Insulator Color | Packing |
| 10 30 | G0=Gold Flash | B=Black | T=Tube |
| 14 34 | G3=10u"Gold | U=Blue | |
| 16 40 | G4=15u"Gold | G=Gray(427C) | |
| 20 44 | G5=30u"Gold | | |
| 24 50 | S0=Gold Flash/Tin | | |
| 26 60 | S3=10u"Gold/Tin | | |
| | S4=15u"Gold/Tin | | |
| | S5=30u"Gold/Tin | | |
| | SN=Tin | | |

| | | |
|-----------|-------|--------|
| Item | Pitch | Mating |
| Standard | 1.27 | 5232 |
| Alternate | | |



Recommended P.C.B Layout(Top Side)
(PCB BOARD TOLERANCE±0.05)



| | | | | | | | | | | | |
|-----------|------------|--------------------------|---------|------------|----|----------------|-------|-----|-------|-----------------------------------|--|
| OPERATION | | DRAW | | DATE | | SCALE | | FIT | | PART NO. | |
| XX | ±0.40 | JYHuong | CHECK | 2012/09/28 | mm | 3230-XXRXXBSX1 | UNIT | A4 | 1/1 | TITLE: 1.27 EJECTOR HEADER 90° | |
| XX | ±0.25 | | CHECK | DATE | mm | | SIZE | A4 | 1/1 | Customer NO. | |
| XX | ±0.15 | | | DATE | mm | | SHEET | 1/1 | PROJ. | | |
| Angle | ± 3° | | APPROVE | DATE | | | | | | | |
| DIW | TOL | | | | | | | | | | |
| REV | DATE | MODIFICATION DESCRIPTION | CHANGE | | | | | | | | |
| A0 | 2012/09/28 | NEW | | | | | | | | | |

WCON

Http: www.wcon.com

WCON-Dongguan
Tel: +86 769 85358920
Fax: +86 769 85358915
E-mail: sales@wcon.com

WCON-Kunshan
Tel: +86 512 57468408
Fax: +86 512 57468468
E-mail: sales@wcon.com