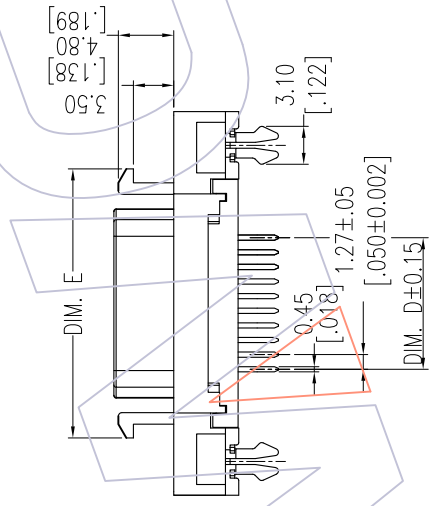
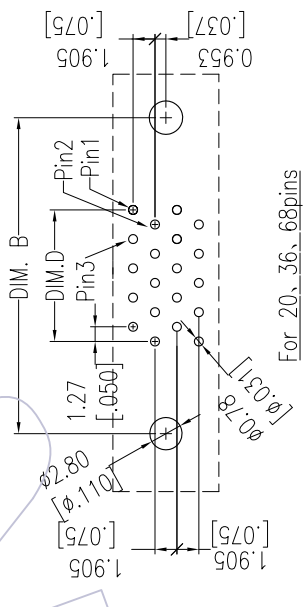
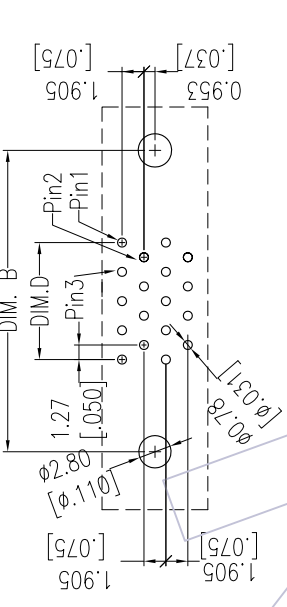
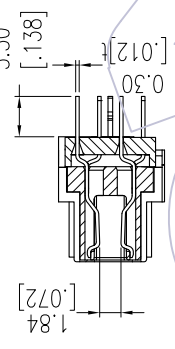
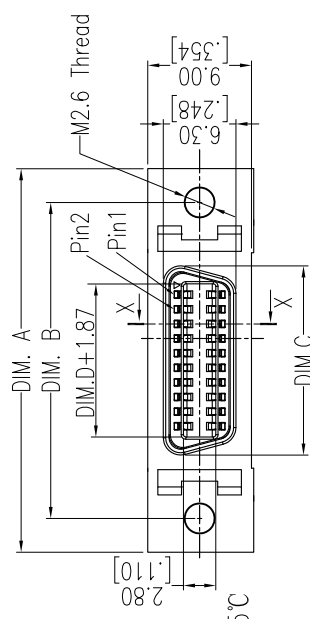


Recommended P.C.B Layout(Top Side) (PCB BOARD TOLERANCE±0.05)

NOTES:

Current Rating: 1.0AMP
 Contact Resistance: 35mΩ Max
 Withstand Voltage: 500V AC/Minute
 Insulation Resistance: 500MΩ Min
 Operation Temperature: -65°C to +125°C

Contact Material:Phosphor Bronze
 Contact plating: Au Or Sn over Ni
 Insulator Material:PBT+30%G.F UL94V-0



Ordering Information

6321- XXX S D XX M W A 04

No.of Pins	Contact Plating	Packing
14 36	S1=3u"Gold/Tin	A:Tray
20 50	S2=5u"Gold/Tin	
26 68	S3=10u"Gold/Tin	
	S4=15u"Gold/Tin	
	S5=30u"Gold/Tin	

68	63.88	57.93	46.91	41.91	53.65
50	52.45	46.50	35.48	30.48	42.22
36	43.70	37.63	26.59	21.59	33.37
26	37.13	31.28	20.24	15.24	27.18
20	33.32	27.47	16.43	11.43	23.37
14	29.51	23.66	12.62	7.62	19.56
POS.	DIM.A	DIM.B	DIM.C	DIM.D	DIM.E

REV	DATE	MODIFICATION	DESCRIPTION	CHANGE
A0	2015/01/07	NEW		

OPERATION	DRAW	DATE	SCALE	FIT	PART NO.
x.x ±0.40	JYHuang	2015/01/07	mm		6321-0XXSDXXMWA04
x.xx ±0.25	CHECK	DATE	SIZE A4		TITLE: 1.27PITCH CEN 180° TYPE SCSI FEMALE WITH FIXING
x.xxx ±0.15	APPROVE	DATE	SHEET 1/1		Customer NO.
Angle ± 3'	TOL		PROJ.		



Http: www.wcon.com
 WCON-Dongguan
 WCON-Kunshan
 Tel: +86 769 85358920
 Tel: +86 512 57468408
 Fax: +86 769 85358915
 Fax: +86 512 57468468
 E-mail: sales@wcon.com
 E-mail: sales@wcon.com