

HSF

Recommended P.C.B Layout (Top Side) (PCB BOARD TOLERANCE ± 0.05)

NOTES:

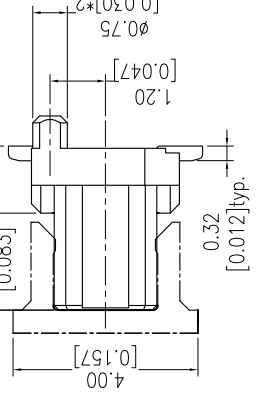
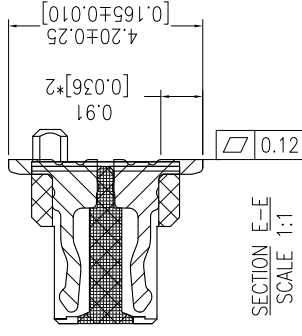
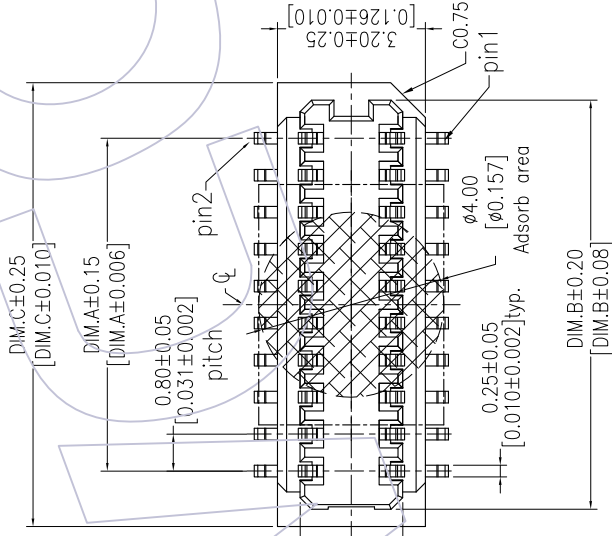
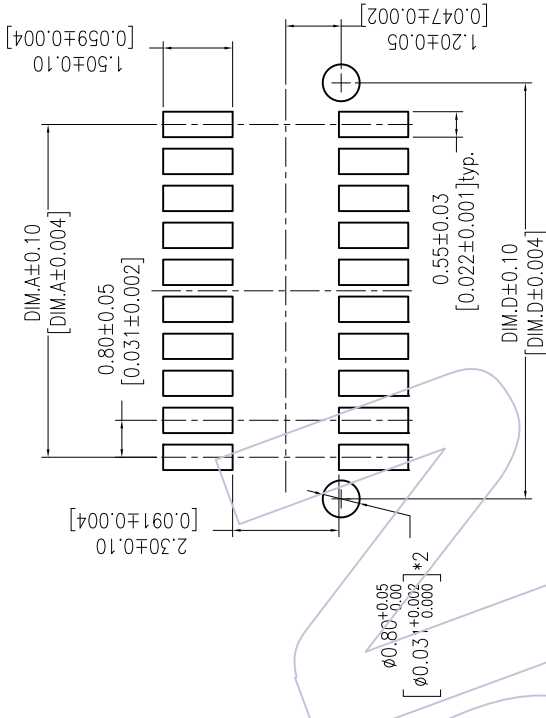
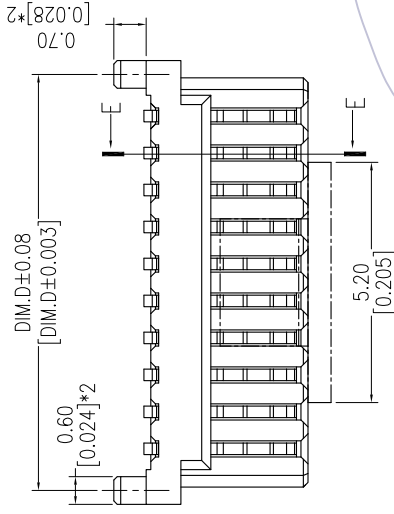
- Current Rating: 0.5AMP
- Contact Resistance: 30mΩ max
- Withstand Voltage: 500V AC/DC
- Insulation Resistance: 100MΩ min
- Operation Temperature: -20°C to +105°C

Contact Material: Phosphor Bronze
 Housing Material: PA9T(UL94V-0)
 Contact plating: Au or Sn over Ni

Ordering Information

3612-P XXX - 035 XX R 01

- No. of Pins
- Housing High
- Male=H1
- Contact Plating
- G1=3µ"Gold
- G2=5µ"Gold
- S1=3µ"Gold/Tin
- S2=5µ"Gold/Tin
- T=Tube
- P=Tube+CAP
- R=Tape&Reel+CAP



REV	DATE	MODIFICATION DESCRIPTION	OPERATION		DRAW	DATE	SCALE	FIT	PART NO.	
			X.X	± 0.40						
A1	2013/05/02	Modify The PART NO. 3612-PXXX-008XXXR01 To 3612-PXXX-035XXXR01	X-XX	± 0.25	TsingSn	2013/05/02	mm	A4	3612-PXXX-035XXXR01	
A0	2013/03/22	NEW	X-XXX	± 0.15	CHECK		inch	1/2		
			Angle	± 3°	APPROVE		SIZE			
			DIM	TOL			SHEET			
			CHANGE				PROJ.			
							TITLE:	0.80mm B TO B		
							Customer NO.	"M" MALE 180° SMT TYPE		

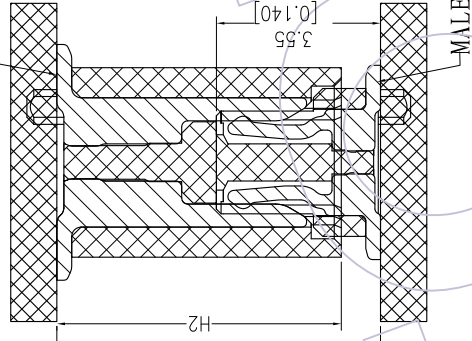
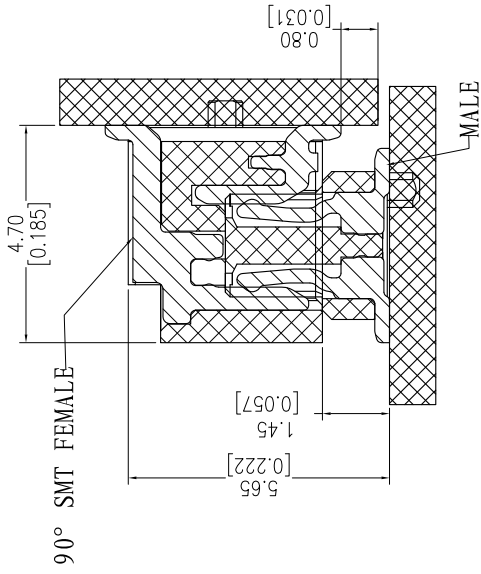
WCON

Http: www.wcon.com
 WCON-Dongguan
 WCON-Kunshan
 Tel: +86 769 85358920
 Tel: +86 512 57468408
 Fax: +86 769 85358915
 Fax: +86 512 57468468
 E-mail: sales@wcon.com
 E-mail: sales@wcon.com

HSF

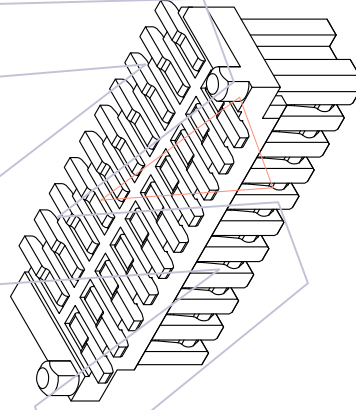
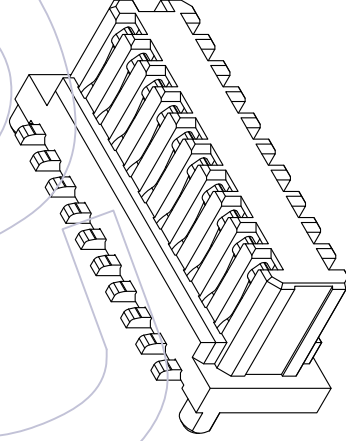
MATED DRAWING(REF.)

180° SMT FEMALE



ASSY HEIGHT(H)	FEMALE(H2)	MALE(H1)
4.50	3.65	
5.00	4.15	
5.65	4.70	3.55
6.00	5.15	
6.50	5.65	
7.00	6.15	

17.00	17.60	16.85	15.20	40
16.20	16.80	16.05	14.40	38
15.40	16.00	15.25	13.60	36
14.60	15.20	14.45	12.80	34
13.80	14.40	13.65	12.00	32
13.00	13.60	12.85	11.20	30
12.20	12.80	12.05	10.40	28
11.40	12.00	11.25	9.60	26
10.60	11.20	10.45	8.80	24
9.80	10.40	9.65	8.00	22
9.00	9.60	8.85	7.20	20
8.20	8.80	8.05	6.40	18
7.40	8.00	7.25	5.60	16
6.60	7.20	6.45	4.80	14
5.80	6.40	5.65	4.00	12
5.00	5.60	4.85	3.20	10
DIM.D	DIM.C	DIM.B	DIM.A	PIN NO.



REV	DATE	MODIFICATION DESCRIPTION	OPERATION		DRAW	DATE	SCALE		FIT	PART NO.
			X.X	±			UNIT			
A1	2013/05/02	Modify The PART NO. 3612-PXXX-008XXR01 To 3612-PXXX-035XXR01	△	±0.25	TsingSn	2013/05/02			mm	3612-PXXX-035XXR01
A0	2013/03/22	NEW	—	±0.15	CHECK				inch	
			Angle	± 3'	APPROVE				A4	TITLE: 0.80mm B TO B "M" MALE 180° SMT TYPE
			DIM	TOL					2/2	Customer NO.
			CHANGE						PROJ.	

WCON

Http: www.wcon.com

WCON-Dongguan
WCON-Kunshan
Tel: +86 769 85358920
Tel: +86 512 57468408
Fax: +86 769 85358915
Fax: +86 512 57468468
E-mail: sales@wcon.com
E-mail: saleske@wcon.com

1 2 3 4 5 6 7 8 9 10