

HSF

NOTES:
 Current Rating:0.5AMP
 Contact Resistance:30mΩ max
 Withstand Voltage:100V AC/DC
 Insulation Resistance:500MΩ min
 Operation Temperature:-40°C to +125°C

Contact Material:Phosphor Bronze
 Cap Material:SUS,t=0.25mm
 Housing Material:LCP(UL94V-0),Nature
 Contact plating:Au and Tin over Ni

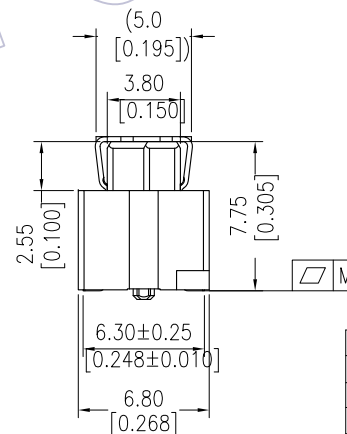
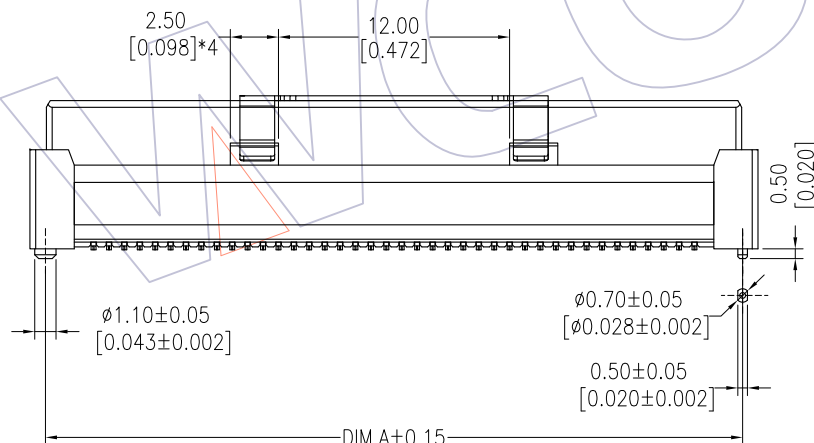
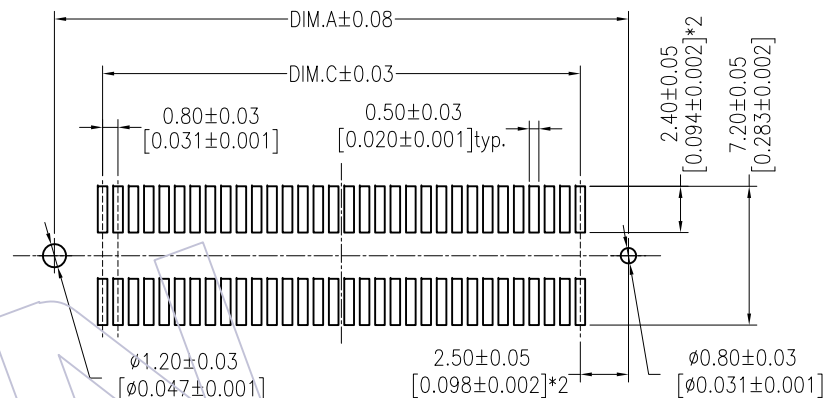
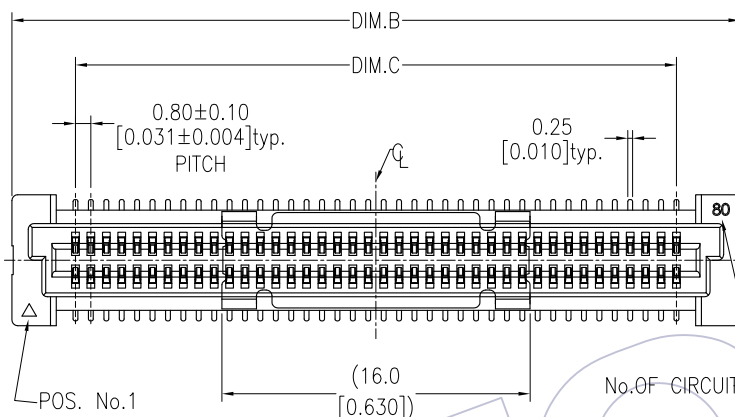
Flatness: <80Pins The "M" Is 0.12mm MAX
 ≥80Pins The "M" Is 0.15mm MAX

Ordering Information

3616-S XXX -077 XX R 01

No.of Pins Housing High Contact Plating R=Tape&Reel+CAP
 S1=3u"Gold/Tin S2=5u"Gold/Tin

Recommended P.C.B Layout (Top Side)
 (PCB BOARD TOLERANCE ± 0.05)



79.20	85.80	84.20	200
71.20	77.80	76.20	180
63.20	69.80	68.20	160
55.20	61.80	60.20	140
47.20	53.80	52.20	120
39.20	45.80	44.20	100
31.20	37.80	36.20	80
23.20	29.80	28.20	60
15.20	21.80	20.20	40
DIM.C	DIM.B	DIM.A	PIN NO.

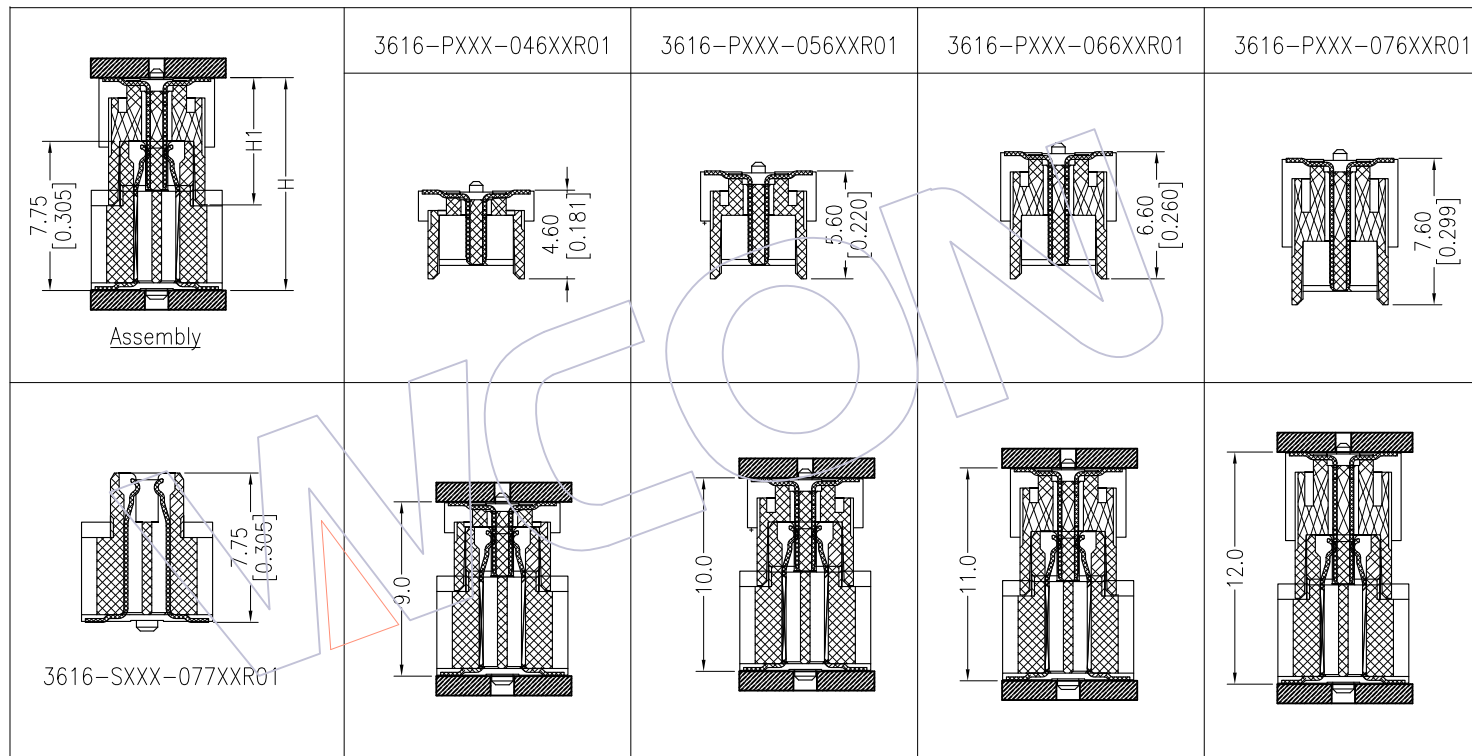
OPERATION		DRAW		DATE		SCALE		FIT		PART NO.	
X.X	±0.40	Allen		2014/11/07		UNIT	mm	mm		3616-SXXX-077XXR01	
X.XX	±0.25	CHECK		DATE		SIZE	inch	A4		TITLE: 0.80mm B TO B Female	
X.XXX	±0.15	APPROVE		DATE		SHEET	1/2	1/2		H=7.75 "T" TYPE SMT	
Angle	± 3'					PROJ.	Customer NO.				
DIM	TOL										
REV	DATE	MODIFICATION DESCRIPTION		CHANGE							




WCON

Http: www.wcon.com

WCON-Dongguan WCON-Kunshan
 Tel: +86 769 85358920 Tel: +86 512 57468408
 Fax: +86 769 85358915 Fax: +86 512 57468468
 E-mail: sales@wcon.com E-mail: salesks@wcon.com

HSF



				OPERATION	DRAW	DATE	SCALE	FIT	PART NO.	 Http: www.wcon.com WCON-Dongguan Tel: +86 769 85358920 WCON-Kunshan Tel: +86 512 57468408 Fax: +86 769 85358915 Fax: +86 512 57468468 E-mail: sales@wcon.com E-mail: salesks@wcon.com
				x.X ±0.40	Allen	2014/11/07	UNIT	mm	3616-SXXX-077XXR01	
A1	2014/11/07	Modify		x.XX ±0.25	CHECK	DATE	SIZE	inch	TITLE: 0.80mm B TO B Female	
A0	2014/06/24	NEW		x.XXX ±0.15	APPROVE	DATE	SHEET	A4	H=7.75 "T" TYPE SMT	
REV	DATE	MODIFICATION DESCRIPTION	CHANGE	Angle ± 3°			PROJ.	2/2	Customer NO.	
				DIM TOL						