

HSF

NOTES:

- Rated Current: 3.0~9.0 AMP.
- Contact Resistance: 20mΩ Max.
- Withstand Voltage: 500V AC
- Insulation Resistance: 1000MΩ Min.
- Operation Temperature: -40°C to +105°C
- Applicable Wire Range:
 - Solid Wire: AWG #20~#18
 - Strand Wire: AWG #20~#18

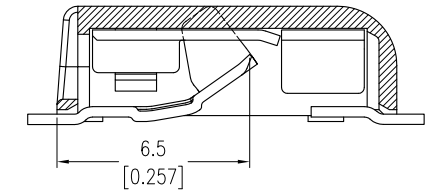
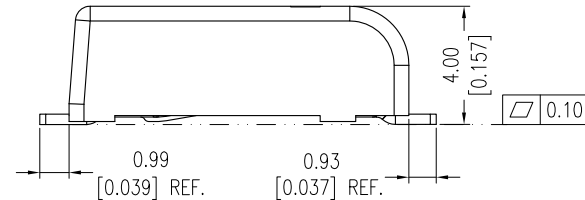
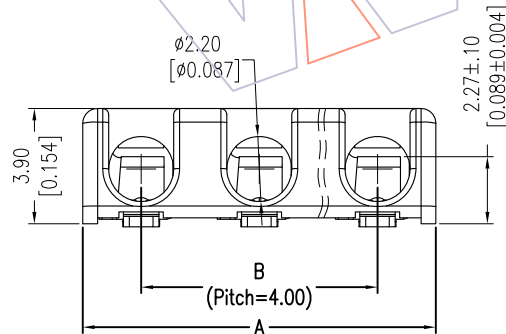
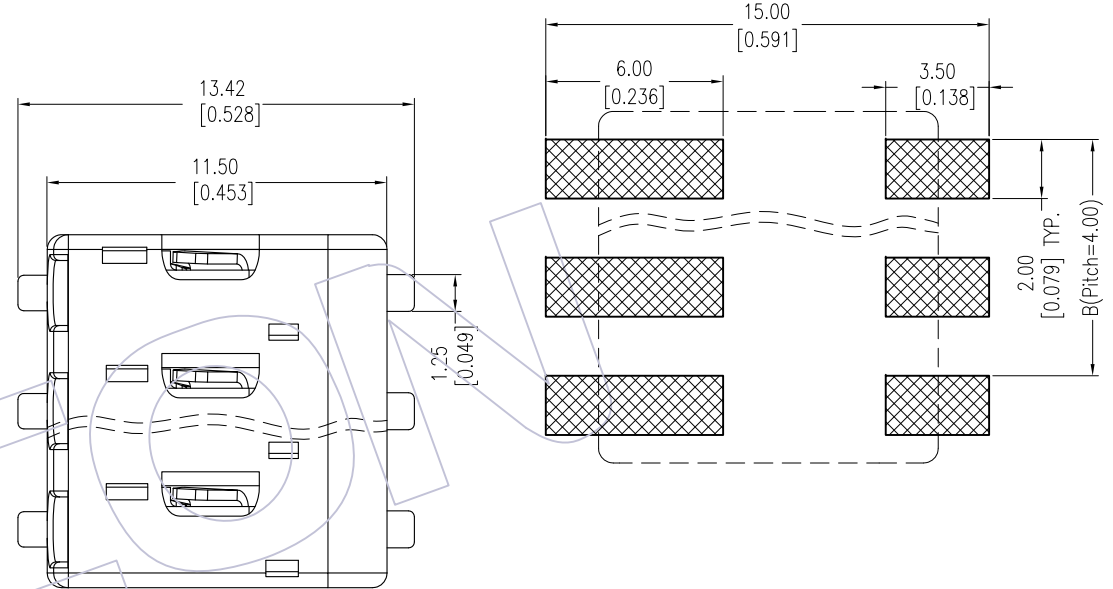
Contact Material: Phosphor Bronze (C5191)
 Contact Plating: Sn over Ni
 Main Body Material: LCP

Ordering Information

L401 - X - XX Z 400 X X 01

- | | | | | |
|-------------|---------------|------------|------------------|----------------|
| No. of Pins | Plating | Type | Insulator Colour | Package |
| 1: 1Pin | | Z: 90° SMT | W: White | T: Tube |
| 2: 2Pin | SM: Matte Tin | | | R: Tape & Reel |
| 3: 3Pin | | | | |

Recommended P.C.B Layout (Top Side)
 (PCB BOARD TOLERANCE ±0.05)



3	11.95	8.00
2	7.90	4.00
1	3.95	/
PIN	A	B

REV	DATE	MODIFICATION DESCRIPTION	CHANGE	OPERATION	DRAW	DATE	SCALE	Fit	PART NO.
				X.X ±0.40	Allen	2015/09/22	UNIT	mm	L401-X-XXZ400XX01
				X.XX ±0.25	CHECK	DATE	SIZE	A4	TITLE:
				X.XXX ±0.15	APPROVE	DATE	SHEET	1/1	4.0Pitch LED CONN. H=4.00 90° SMT
				Angle ± 3'			PROJ.		Customer NO.
				DIM TOL					



Http: www.wcon.com

WCON-Dongguan Tel: +86 769 85358920 Fax: +86 769 85358915 E-mail: sales@wcon.com	WCON-Kunshan Tel: +86 512 57468408 Fax: +86 512 57468468 E-mail: salesks@wcon.com
-------------------------------------------------------------------------------------------------------------------------------	----------------------------------------------------------------------------------------------------------------------------------