

# HSF

NOTES:  
Rated Current: 1.0AMP  
Contact Resistance: 20mΩ max  
Withstand Voltage: 500V AC/DC  
Insulation Resistance: 1000MΩ min  
Operation Temperature: -40°C to +105°C

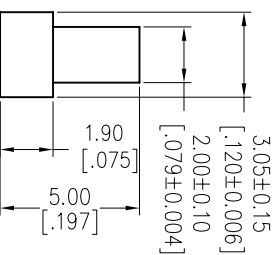
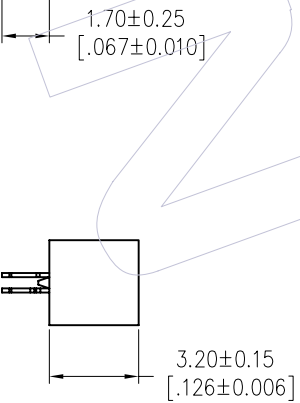
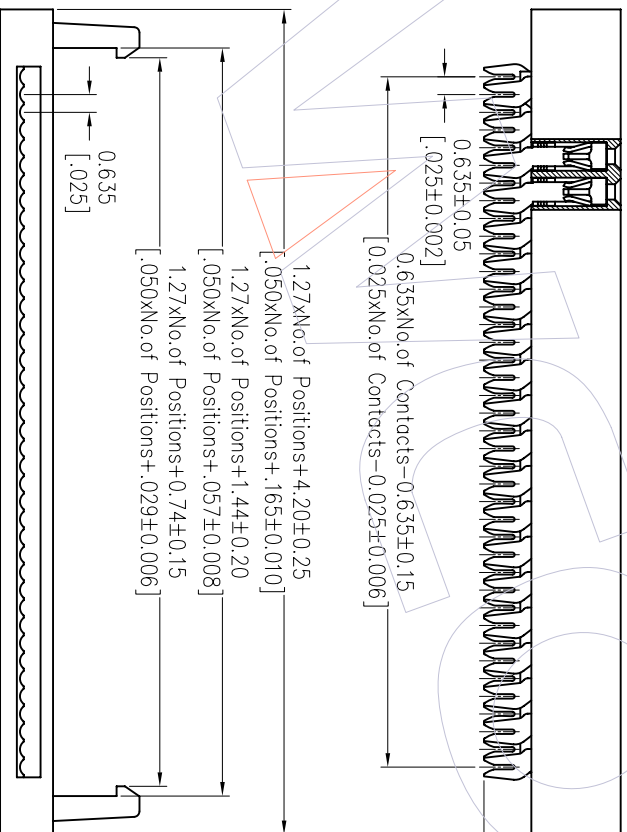
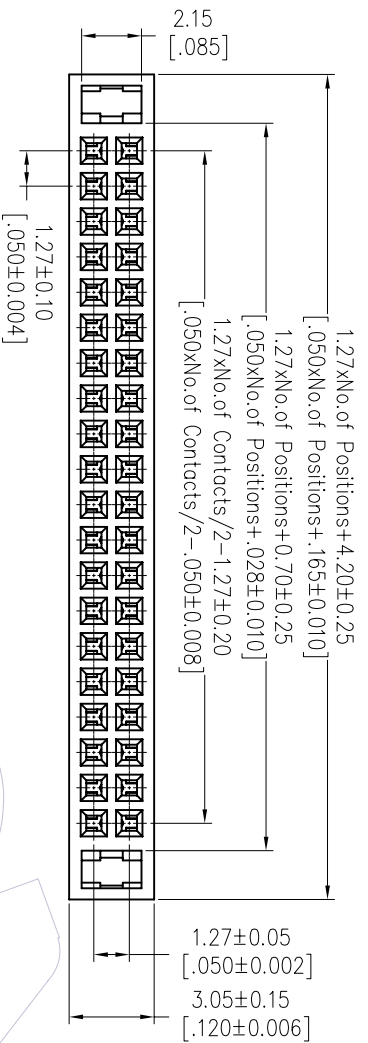
Contact Material: Phosphor Bronze  
Contact plating: Au Or Sn over Ni  
Insulator Material: PBT+30%G.F UL94V-0

## Ordering Information

5232-XX U P XX B N 0 1

No. of Pins      Contact Plating:      Color:  
06=6P      S0=Gold Flash/Ni      B=Black  
10=10P      S3=10μ"Gold/Ni      G=Grey 427C  
20=20P      S4=15μ"Gold/Ni      E=Grey 413C  
30=30P      S5=30μ"Gold/Ni      SN=Tin  
40=40P  
50=50P  
60=60P  
80=80P

Item	Pitch	Mating
Standard	1.27	3130/3132/3230
Alternate		



OPERATION	DRAW	DATE	SCALE	FIT	PART NO.
XX	JYHuong	2012/10/10	UNIT	mm	5232-XXUPXXBN01
XX	CHECK	DATE	SIZE	A4	TITLE: 1.27mm IDC SOCKET WITHOUT BUWP
X.XXX	± 3°	DATE	SHEET	1/1	Customer NO.
Angle	APPROVE	DATE	PROJ.		
DIM	TOL				

WCON-Dongguan      Http: www.wcon.com  
Tel: +86 769 85358920      WCON-Kunshan  
Tel: +86 512 57468408  
Fax: +86 769 85358915      Fax: +86 512 57468468  
E-mail: sales@wcon.com      E-mail: sales@wcon.com

# WCON