

# HSF

**NOTES:**

Current Rating: 1.0AMP  
 Contact Resistance: 20mΩ Max  
 Withstand Voltage: 500V AC/DC  
 Insulation Resistance: 1000MΩ Min  
 Operation Temperature: -40°C to +105°C

Contact Material: Phosphor Bronze  
 Contact plating: Au Or Sn over Ni  
 Insulator Material: PA9T+30%G.F. UL94V-0

## Ordering Information

2344-2 XX S XX CUN T 1

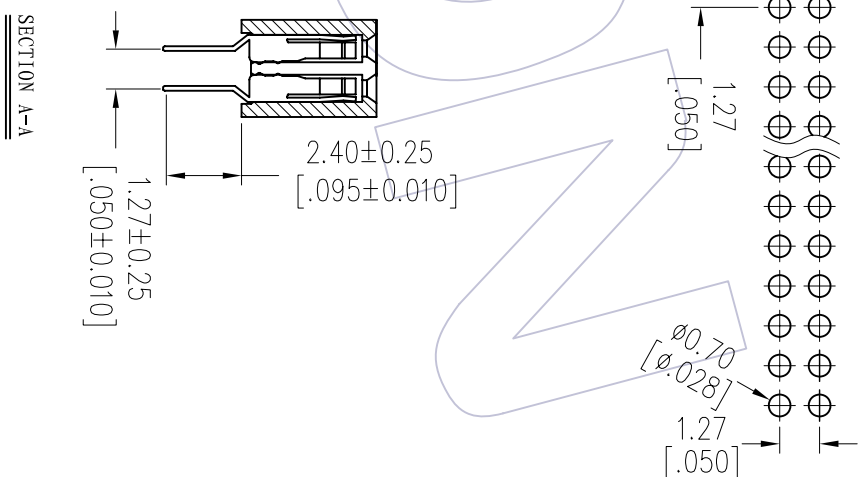
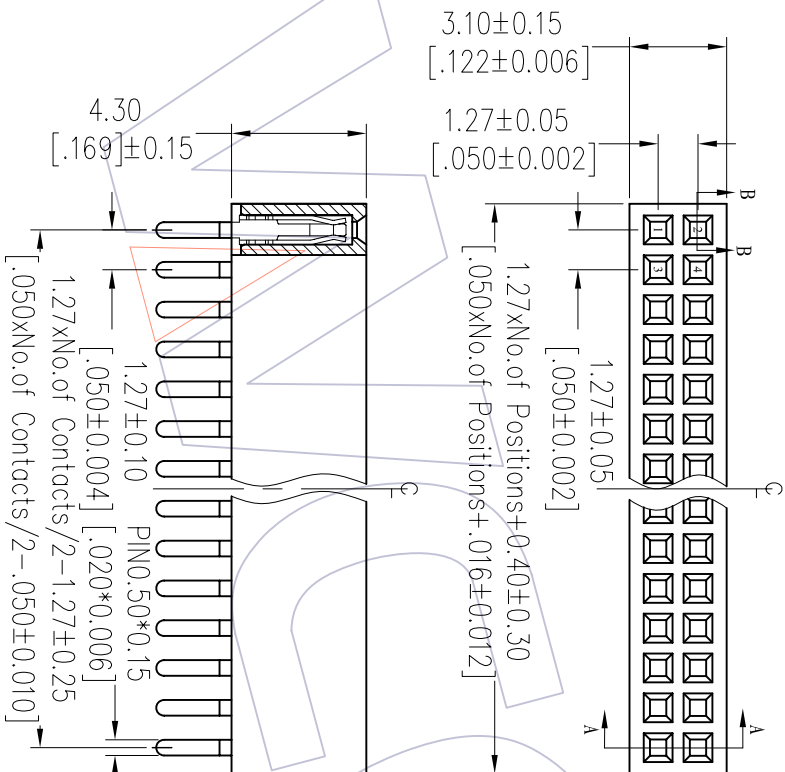
No. of Pins per Row: 02-50Pin

Contact Plating:  
 G0=Gold Flash  
 G3=10μ"Gold  
 G4=15μ"Gold  
 G5=30μ"Gold

Packing:  
 T=Tube  
 P=Tube+CAP  
 R=Tape&Reel+CAP

S0=Gold Flash/Tin  
 S3=10μ"Gold/Tin  
 S4=15μ"Gold/Tin  
 S5=30μ"Gold/Tin  
 SN=Tin

Item	Pitch	Mating
Standard	1.27	1310/1315/1320/3131/3133/3100
Alternate		



Recommended P.C.B Layout(Top Side)  
 (PCB BOARD TOLERANCE±0.05)

REV	DATE	MODIFICATION DESCRIPTION
A0	2012/07/09	NEW

OPERATION	DRAW	DATE	SCALE	FIT	PART NO.
XX	JYHuog	2012/07/09	UNIT	mm	2344-2XXSXXCUNT1
XX	CHECK	DATE	SIZE	A4	TITLE: PH. 27mm DUAL ROW 180° DIP H=4.30
X.XXX	Angle	± 3'	SHEET	1/1	Customer NO.
DIW	TOL	APPROVE	PROJ.		

# WCON

Http: www.wcon.com

WCON-Dongguan Tel: +86 769 85358920 Fax: +86 769 85358915 E-mail: sales@wcon.com

WCON-Kunshan Tel: +86 512 57468408 Fax: +86 512 57468468 E-mail: sales@wcon.com